

CONNECT + CONTROL

Distributed by
ANBI
www.anbisolutions.com



Pegler Yorkshire



EXPORT VALVES CATALOGUE

PUTTING YOU IN CONTROL

Pegler





Pegler Yorkshire



UNRIVALLED QUALITY, INNOVATION, CUSTOMER SERVICE

As part of the global Aalberts Industries NV Group, Pegler Yorkshire is one of Britain's largest and most respected manufacturers of innovative products for the demanding and diverse plumbing and heating industries.

PEGLER YORKSHIRE – A UNIQUE STORY

It was in the late 19th century when two separate and altruistic companies set out on the long road to satisfying the needs of prospective customers and, of course, to profit in the process. Coincidentally located just 30 miles apart, each was driven by the same vision and ideals of a no-compromise culture. Cutting corners was never an option and only the best could ever be good enough.

These two companies were Pegler and Yorkshire Fittings. In meeting all the challenges of the 20th and 21st centuries both companies have changed a great deal, the business ethos common to both never has. And now these two like minds have come together as Pegler Yorkshire – a single source of proven, flow control solutions for installers, specifiers and engineers in the domestic, public and commercial markets.

For more information visit
www.pegleryorkshire.co.uk/connect/pegler





Pegler

CONNECT + CONTROL

CONTENTS

PRODUCT RANGE OVERVIEW

Introduction to Pegler

Gate Valves **4-10**

Ball Valves **11-22**

Butterfly Valves **23-24**

Check Valves **25-33**

Strainer Valves **34-36**

Reducing Valves **37**

Commissioning & Regulating Valves **38-42**

Globe Valves **43-44**

Misc **45-46**

Chrome Plated Bib Taps **47-49**

Float Valves **50-55**

Angle Valves **56-60**

Stop Valves **61-62**

Brass Bib Taps **63-70**

Drain Cocks **71-73**

Service Valves & Safety Valve **74-75**

Flow Charts **76-82**

Directive **83**

Pegler Yorkshire is pleased to be associated with several influential industry organisations:



Association of Plumbing and Heating Contractors



The Bathroom Manufacturers Association



The UK Copper Board



Heating and Ventilating Contractors Association

Brass

The Brass Page for specifiers, designers, engineers and manufacturers



British Plumbing Employers Council



Thermostatic Mixing Valve Manufacturers Association



Construction Products Association



The Copper Development Association



Scottish and Northern Ireland Plumbing Employers Federation



Builders Merchants Federation



Institute of Plumbing

1065 Forged brass full bore gate valve

Female ends



SIZES

Taper and American (NPT) Taper						
Range	½"	¾"	1"	1¼"	1½"	2"
IS07-1Rc (Taper)	202007	202008	202009	202010	202011	202012
ANSI NPT (AT)	202042	202043	202044	202045	202046	202047

DIMENSIONS (mm)

Range	½"	¾"	1"	1¼"	1½"	2"
A Face to Face	46	50	57	64	68	81
B Height	70	80	95	115	125	155
Weight kg	0.27	0.37	0.58	0.94	1.19	2.09

FLOW RATES* m³/h

Range	½"	¾"	1"	1¼"	1½"	2"
Cv	16.4	37.4	66.7	105.3	150.9	269.10
Kv	14.0	32.0	57.0	90.0	129.0	230.0

*Cv - flow rate in US GPM at a pressure drop of 1 psi.

*Kv - flow rate in m3 per hour at a pressure drop of 1 bar.

VALVE SUITABILITY

Steam	Water	Oil	Air	Gas Inert	Gas Combustible	Gas Corrosive	Gas Oxygen
✗	✓	✓	✗	✗	✗	✗	✗

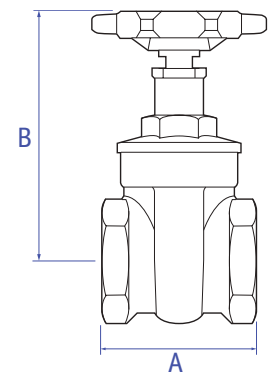
MATERIAL SPECIFICATION

Component	Material
Body	Forged brass
Bonnet	Forged brass
Stem	Brass bar
Wedge	Forged brass
Gland screw	Brass bar
Handwheel	Aluminium
Handwheel nut	Brass Bar
'O' Rings	Nitrile rubber
Rating disc	Aluminium

MAXIMUM PRESSURE CONDITIONS

Size	Maximum Pressure Conditions (bar)		Test Pressures (bar)	
	(Cold working) Temperatures up to 25°C	(Hot working) Temperatures up to 93°C	Shell	Seat
½" to 2"	17.5	17.5	26.3	19.3
Size	Maximum Pressure Conditions (psi)		Test Pressures (psi)	
	Temperatures up to 77°F	Temperatures up to 200°F	Shell	Seat
½" to 2"	253.8	253.8	381.5	279.5

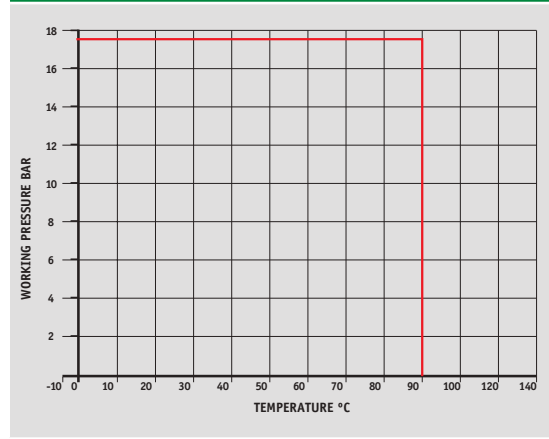
Temperature range - 10°C + 93°C (non shock)



PRESSURE EQUIPMENT DIRECTIVE CATEGORY

Sizes					
½"	¾"	1"	1¼"	1½"	2"
SEP	SEP	SEP	SEP	SEP	SEP

PRESSURE & TEMPERATURE RATINGS



1068 Forged brass full bore gate valve

BS 5154 PN20 series B, female ends

Pegler

SIZES

Taper / Parallel and American (NPT) Taper Thread

Range	1/2"	3/4"	1"	1 1/4"	1 1/2"	2"	2 1/2"	3"	4"
IS07-1Rc (Taper)	203007	203008	203009	203010	203011	203012	203013	203014	203015
IS07-1Rp (PT)	203047	203048	203049	203050	203051	203052	203053	203054	
ANSI NPT (AT)	203027	203028	203029	203030	203031	203032	203033	203034	203035
IS07-1Rc (Lockshield -Taper)	203067	203068	203069	203070	203071	203072			

DIMENSIONS (mm)

Range	1/2"	3/4"	1"	1 1/4"	1 1/2"	2"	2 1/2"	3"	4"
A Face to Face	52	56	65	73	76	90	102	114	134
B Height	85	95	110	125	145	170	205	240	290
Weight kg	0.32	0.46	0.69	1.03	1.40	2.28	3.68	5.42	10.59

FLOW RATES* m³/h

Range	1/2"	3/4"	1"	1 1/4"	1 1/2"	2"	2 1/2"	3"	4"
Cv	16.4	37.4	66.7	105.3	150.9	269.1	500.8	795.6	1273.0
Kv	14.0	32.0	57.0	90.0	129.0	230.0	428.0	680.0	1088.0

*Cv - flow rate in US GPM at a pressure drop of 1 psi.

*Kv - flow rate in m3 per hour at a pressure drop of 1 bar.

VALVE SUITABILITY

Steam	Water	Oil	Air	Gas Inert	Gas Combustible	Gas Corrosive	Gas Oxygen
✗	✓	✓	✗	✗	✗	✗	✗

MATERIAL SPECIFICATION

Component	Material
Body	Forged brass (1/4" to 2") Gravity die cast brass (2 1/2" to 4)
Bonnet	Forged brass (1/4" to 3") Gravity die cast brass (4")
Stem	Brass bar
Wedge	Forged brass (1/4" to 2") Gravity die cast brass (3 & 4")
Stem ring	Brass bar
Gland	Brass bar
Gland nut	Brass bar (1/4" to 1") Forged brass (1 1/4" to 4")
Handwheel	Aluminium
Handwheel nut	Brass bar
Gland packing	PTFE
Rating disc	Aluminium
Lockshield	Brass bar

MAXIMUM PRESSURE CONDITIONS

Size	Maximum Pressure Conditions (bar)		Test Pressures (bar)	
	(Cold working) Temperatures up to 100°C	(Hot working) Temperatures up to 180°C	Shell	Seat
1/2" to 4"	20.0	9.0	30.0	22.0
Size	Maximum Pressure Conditions (psi)		Test Pressures (psi)	
	Temperatures up to 212°F	Temperatures up to 356°F	Shell	Seat
1/2" to 4"	290.1	130.5	435.1	319.1

Temperature range - 10°C + 180°C (non shock)

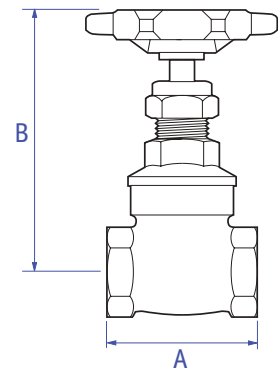


WRAS APPROVED PRODUCT



LS KEYS

1/2", 3/4"	K9 Lockshield Key 850139
1"	K2 Lockshield Key 817020
1 1/4"	K3 Lockshield Key 850132
1 1/2"	K5 Lockshield Key 850134
2"	K6 Lockshield Key 850135

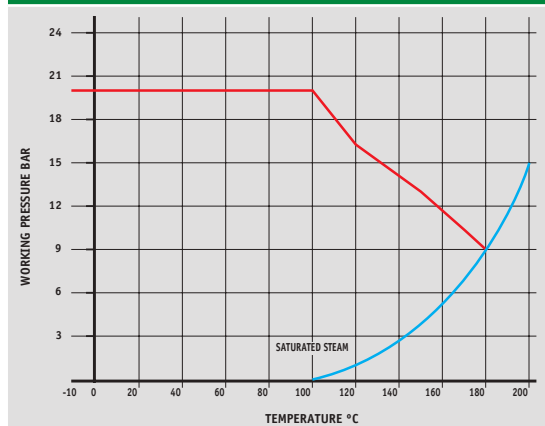


PRESSURE EQUIPMENT DIRECTIVE CATEGORY

Sizes

1/2"	3/4"	1"	1 1/4"	1 1/2"	2"	2 1/2"	3"	4"
SEP	SEP	SEP	SEP	SEP	SEP	SEP	SEP	SEP

PRESSURE & TEMPERATURE RATINGS



1078 Forged DZR brass full bore gate valve



BS 5154 PN20 series B, female ends

SIZES

Taper						
Range	1/2"	3/4"	1"	1 1/4"	1 1/2"	2"
IS07-1Rc (Taper)	204007	204008	204009	204010	204011	204012
IS07-1Rc (Lockshield)	204050	204051	204052	204053	204054	204055

DIMENSIONS (mm)

Range	1/2"	3/4"	1"	1 1/4"	1 1/2"	2"
A Face to Face	52	56	65	73	76	90
B Height	85	95	110	125	145	170
Weight kg	0.31	0.46	0.72	1.07	1.33	2.45

FLOW RATES* m³/h

Range	1/2"	3/4"	1"	1 1/4"	1 1/2"	2"
Cv	16.4	37.4	66.7	105.3	150.9	269.1
Kv	14.0	32.0	57.0	90.0	129.0	230.0

*Cv - flow rate in US GPM at a pressure drop of 1 psi.

*Kv - flow rate in m3 per hour at a pressure drop of 1 bar.

VALVE SUITABILITY

Steam	Water	Oil	Air	Gas Inert	Gas Combustible	Gas Corrosive	Gas Oxygen
✗	✓	✓	✗	✗	✗	✗	✗

MATERIAL SPECIFICATION

Component	Material
Body	DZR Forged brass
Bonnet	DZR Forged brass
Stem	DZR Brass bar
Wedge	DZR Forged brass
Stem ring	DZR Brass bar
Gland	Brass bar
Gland nut	Brass bar (1/2" to 1")
Handwheel	Aluminium
Handwheel nut	Brass bar
Gland packing	PTFE
Rating disc	Aluminium
Lockshield	Brass bar

MAXIMUM PRESSURE CONDITIONS

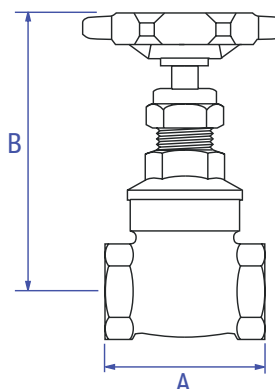
Size	Maximum Pressure Conditions (bar)		Test Pressures (bar)	
	Temperatures up to 100°C	Temperatures up to 180°C	Shell	Seat
1/4" to 2"	20.0	9.0	30.0	22.0
Size	Maximum Pressure Conditions (psi)		Test Pressures (psi)	
	Temperatures up to 100°C	Temperatures up to 180°C	Shell	Seat
1/4" to 2"	290.1	130.5	435.1	319.1

Temperature range - 10°C + 180°C (non shock)



LS KEYS

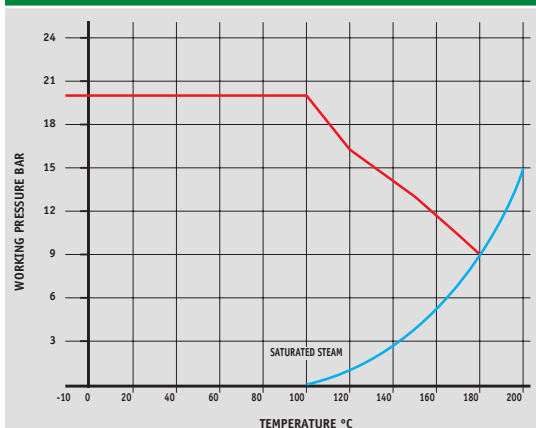
- 1/2", 3/4" K9 Lockshield Key 850139
- 1" K2 Lockshield Key 817020
- 1 1/4" K3 Lockshield Key 850132
- 1 1/2" K5 Lockshield Key 850134
- 2" K6 Lockshield Key 850135



PRESSURE EQUIPMENT DIRECTIVE CATEGORY

Sizes						
1/2"	3/4"	1"	1 1/4"	1 1/2"	2"	
SEP	SEP	SEP	SEP	SEP	SEP	

PRESSURE & TEMPERATURE RATINGS



1070/125 Bronze full bore gate valve

BS 5154 PN20 series B, female ends



SIZES

Taper / Parallel Thread (PT)

Range	1/2"	3/4"	1"	1 1/4"	1 1/2"	2"	2 1/2"	3"	4"
IS07-1Rc (Taper)	103007	103008	103009	103010	103011	103012	103013	103014	103015
IS07-1Rp (PT)	103047	103048	103049	103050	103051	103052	103053	103054	
IS07-1Rc (Lockshield)	103057	103058	103059	103060	103061	103062			

DIMENSIONS (mm)

Range	1/2"	3/4"	1"	1 1/4"	1 1/2"	2"	2 1/2"	3"	4"
A	52	56	65	73	76	90	102	114	134
B	85	95	110	125	145	170	205	240	290
B Lockshield	75	85	100	110	130	155			
Weight kg	0.32	0.46	0.69	1.03	1.40	2.28	3.68	5.42	10.59

FLOW RATES m³/h

Range	1/2"	3/4"	1"	1 1/4"	1 1/2"	2"	2 1/2"	3"	4"
Kv	14.0	32.0	57.0	90.0	129.0	230.0	428.0	680.0	1088.0

Kv - flow rate in m³ per hour at a pressure drop of 1 bar.

VALVE SUITABILITY

Steam	Water	Oil	Air	Gas Inert	Gas Combustible	Gas Corrosive	Gas Oxygen
✗	✓	✓	✗	✗	✗	✗	✗

MATERIAL SPECIFICATION

Component	Material
Body	Gunmetal
Bonnet	Forged brass (1/2" to 3") Gravity die cast brass (4")
Stem	Brass bar
Wedge	Gunmetal
Stem ring	Brass bar
Gland	Brass bar
Gland nut	Brass bar (1/2" to 1") Forged brass (1 1/2" to 4")
Handwheel	Aluminium
Handwheel nut	Brass bar
Gland packing	PTFE
Rating disc	Aluminium

MAXIMUM PRESSURE CONDITIONS

Size	Maximum Pressure Conditions (bar)		Test Pressures (bar)	
	(Cold working) Temperatures up to 100°C	(Hot working) Temperatures up to 180°C	Shell	Seat
1/4" to 4"	20.0	9.0	30.0	22.0
Size	Maximum Pressure Conditions (psi)		Test Pressures (psi)	
	Temperatures up to 100°C	Temperatures up to 180°C	Shell	Seat
1/4" to 4"	290.1	130.5	435.1	319.1

Temperature range - 10°C + 180°C (non shock)

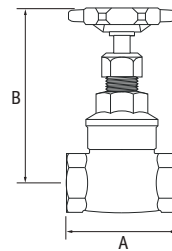


WRAS APPROVED PRODUCT



LS KEYS

1/2", 3/4"	K9 Lockshield Key 850139
1"	K2 Lockshield Key 817020
1 1/4"	K3 Lockshield Key 850132
1 1/2"	K5 Lockshield Key 850134
2"	K6 Lockshield Key 850135

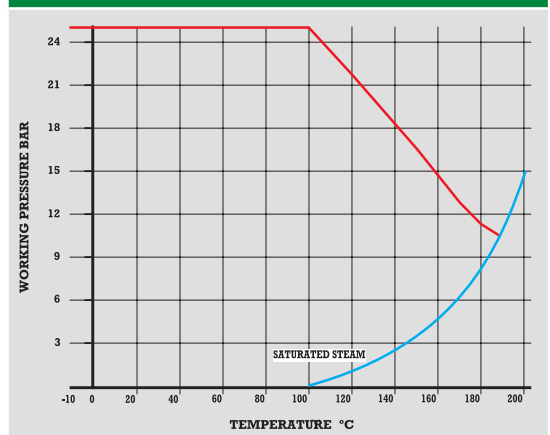


PRESSURE EQUIPMENT DIRECTIVE CATEGORY

Sizes

1/2"	3/4"	1"	1 1/4"	1 1/2"	2"	2 1/2"	3"	4"	4"
SEP	SEP	SEP	SEP	SEP	SEP	SEP	SEP	SEP	SEP

PRESSURE & TEMPERATURE RATINGS



1072 Bronze full bore gate valve

BS 5154 PN32 series B, female ends

Pegler

SIZES

Taper Parallel and American (NPT) Taper

Range	1/2"	3/4"	1"	1 1/4"	1 1/2"	2"
IS07-1Rc (Taper)	101103	101104	101105	101106	101107	101108
IS07-1Rp (PT)	101123	101124	101125	101126	101127	101128
ANSI (NPT) AT	101143	101144	101145	101146	101147	101148

DIMENSIONS (mm)

Range	1/2"	3/4"	1"	1 1/4"	1 1/2"	2"
A Face to Face	64	65	75	90	97	105
B Height	100	110	130	145	165	200
Weight kg	0.47	0.69	1.02	1.57	2.44	3.43

FLOW RATES* m³/h

Range	1/2"	3/4"	1"	1 1/4"	1 1/2"	2"
Cv	16.4	37.4	66.7	105.3	150.9	269.1
Kv	14.0	32.0	57.0	90.0	129.0	230.0

*Cv - flow rate in US GPM at a pressure drop of 1 psi. *Kv - flow rate in m³ per hour at a pressure drop of 1 bar.

VALVE SUITABILITY

Steam	Water	Oil	Air	Gas Inert	Gas Combustible	Gas Corrosive	Gas Oxygen
✗	✓	✓	✗	✗	✗	✗	✗

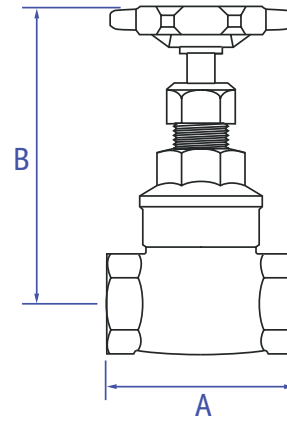
MATERIAL SPECIFICATION

Component	Material
Body	Gunmetal
Bonnet	Gunmetal
Stem	Gunmetal
Wedge	Gunmetal
Stem ring	Gunmetal
Gland	Brass bar
Gland nut	Brass bar
Handwheel	Aluminium
Handwheel nut	Brass bar
Gland packing	PTFE
Rating disc	Aluminium

MAXIMUM PRESSURE CONDITIONS

Size	Maximum Pressure Conditions (bar)		Test Pressures (bar)	
	(Cold working) Temperatures up to 100°C	(Hot working) Temperatures up to 198°C	Shell	Seat
1/2" to 2"	32.0	14.5	48.0	35.2
Size	Maximum Pressure Conditions (psi)		Test Pressures (psi)	
	Temperatures up to 212°F	Temperatures up to 389°F	Shell	Seat
1/2" to 2"	290.1	210.3	696.2	510.5

Temperature range - 10°C + 198°C (non shock)

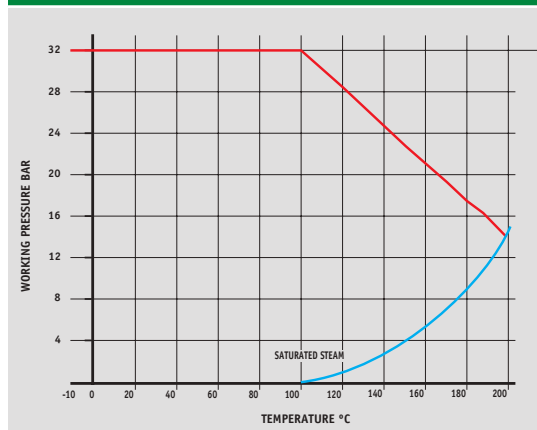


PRESSURE EQUIPMENT DIRECTIVE CATEGORY

Sizes

1/2"	3/4"	1"	1 1/4"	1 1/2"	2"
SEP	SEP	SEP	SEP	SEP	SEP

PRESSURE & TEMPERATURE RATINGS



63 Forged brass full bore gate valve

Compression ends, PN16

Pegler

SIZES

Ends to EN1254 - 2

Range	15mm	22mm	28mm	35mm	42mm	54mm
Gate valve	506007	506008	506009	506010	507011	507012
Lockshield	506037	506038	506039			

DIMENSIONS (mm)

Range	15mm	22mm	28mm	35mm	42mm	54mm
A	72	81	90	107	113	129
B	83	93	111	124	146	174
Weight kg	0.31	0.47	0.65	1.26	1.60	2.70
LS Weight kg	0.31	0.47	0.65			

FLOW RATES* m³/h

Range	15mm	22mm	28mm	35mm	42mm	54mm
kv	14.0	32.0	57.0	90	129	230

*Kv - flow rate in m³ per hour at a pressure drop of 1 bar.

VALVE SUITABILITY

Steam	Water	Oil	Air	Gas Inert	Gas Combustible	Gas Corrosive	Gas Oxygen
✗	✓	✓	✗	✗	✗	✗	✗

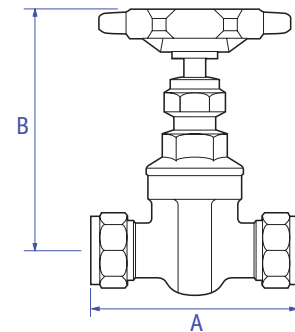
MATERIAL SPECIFICATION

Component	Material
Body	Brass 15 - 35, Bronze 42 + 54
Bonnet	Brass
Stem	Brass
Wedge	Brass
Stem ring	Brass
Gland	Brass
Gland nut	Brass
Handwheel	Aluminium
Handwheel nut	Brass bar
Gland packing	PTFE
Rating disc	Aluminium
Lockshield	Brass

MAXIMUM PRESSURE CONDITIONS

Size	Maximum Pressure Conditions (bar)		Test Pressures (bar)	
	(Cold working) Temperatures up to 30°C	(Hot working) Temperatures up to 120°C	Shell	Seat
15 to 54mm	16.0	5	24	17.5
Size	Maximum Pressure Conditions (psi)		Test Pressures (psi)	
	Temperatures up to 77°F	Temperatures up to 200°F	Shell	Seat
15 to 54mm	232.1	72.5	348.1	253.8

Temperature range - 10°C + 120°C

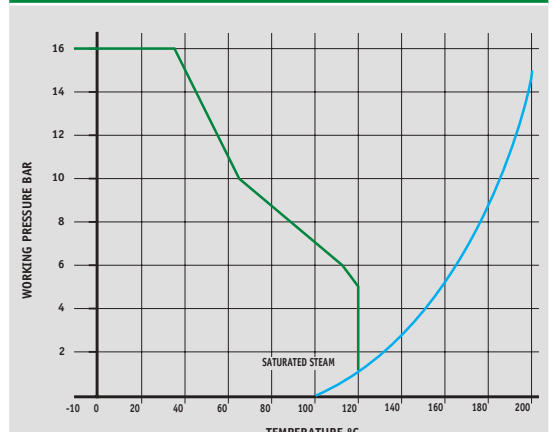


PRESSURE EQUIPMENT DIRECTIVE CATEGORY

Sizes

15mm	22mm	28mm	35mm	42mm	54mm
SEP	SEP	SEP	SEP	SEP	SEP

PRESSURE & TEMPERATURE RATINGS



V950 Ductile iron gate valve

BS EN 1171:2002 PN16, flanged to EN1092-2 PN16

Pegler

SIZES

Range	DN50	DN65	DN80	DN100	DN125	DN150	DN200	DN250	DN300
Code	15510	15511	15512	15513	15514	15515	15516	15517	15518

DIMENSIONS (mm)

Range	DN50	DN65	DN80	DN100	DN125	DN150	DN200	DN250	DN300
A	178	190	203	229	254	267	292	330	356
B	260	285	310	350	400	445	600	720	830
Weight kg	16.10	19.12	22.14	28.00	35.00	43.00	86.00	147.00	209

FLOW RATES m³/h

Kv	230.00	360.00	519.00	923.00	1443.00	2077.00	3693.00	5771.00	8310.00
----	--------	--------	--------	--------	---------	---------	---------	---------	---------

*Kv - flow rate in m³ per hour at a pressure drop of 1 bar.

VALVE SUITABILITY

Steam	Water	Oil	Air	Gas Inert	Gas Combustible	Gas Corrosive	Gas Oxygen
x	✓	x	x	x	x	x	x

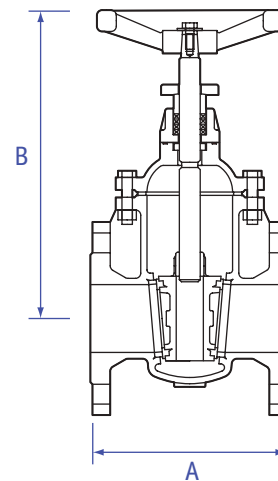
MATERIAL SPECIFICATION

Component	Material
Body	Ductile iron
Body seat ring	Gunmetal
Bonnet	Ductile iron
Bonnet gasket	EPDM
Stem	Stainless steel
Wedge	Ductile iron
Wedge trim	Gunmetal
Wedge nut	Gunmetal
Gland flange	Ductile iron
Gland	Ductile iron
Gland packing	Graphite non asbestos
Stuffing box	Ductile iron
Stuffing box gasket	Compressed graphite
Handwheel	Ductile iron

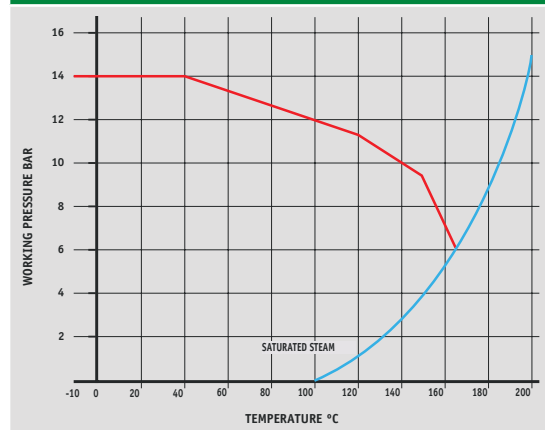
PRESSURE AND TEMPERATURE RATINGS

Size	Maximum Working Pressure (bar)		Test Pressure (bar)	
	Temperature 120°C	Temperature 230°C	Shell	Seat
DN65 to DN200	16bar	11.8bar	24	17.6
Size	Maximum Working Pressure (psi)		Test Pressure (psi)	
	Temperature 248°F	Temperature 446°F	Shell	Seat
DN65 to DN200	232.1psi	171.1psi	348.1	253.8

Temperature range - 10°C + 230°C (non shock)



PRESSURE & TEMPERATURE RATINGS



PB100 Brass full bore ball valve

Red lever handle. PN25 to 2", PN16 2 1/2", 3" and 4", female ends



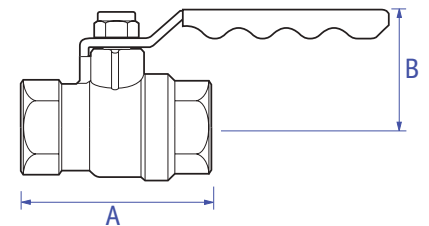
SIZES

Taper									
Range	1/2"	3/4"	1"	1 1/4"	1 1/2"	2"	2 1/2"	3"	4"
Code - Taper	270001	270002	270003	270004	270005	270006	270007	270008	270009
Code - PT	270021	270022	270023	270024	270025	270026			
Code - AT	270041	270042	270043	270044	270045	270046	270047	270048	270049



DIMENSIONS (mm)

Range	1/2"	3/4"	1"	1 1/4"	1 1/2"	2"	2 1/2"	3"	4"
A	50	58	69	81	89	110	136	163	192
B	46	50	52	70	76	83	109	119	155
Weight kg	0.18	0.25	0.38	0.628	0.84	1.45	3.0	4.5	7.5



VALVE SUITABILITY

Steam	Water	Oil	Air	Gas Inert	Gas Combustible	Gas Corrosive	Gas Oxygen
✗	✓	✓	✓	✗	✗	✗	✗

MATERIAL SPECIFICATION

Component	Material
Body	Brass - CW617N, Chrome plated (1/2" to 2") Forged brass, Chrome plated (2 1/2" to 4")
End piece	Brass - CW617N, Chrome plated (1/2" to 2") Forged brass, Chrome plated (2 1/2" to 4")
Ball	Brass, Chrome plated
Stem	Brass, Chrome plated
Gland nut	Brass, Chrome plated
Gland packing	PTFE
Seats	PTFE
Lever handle	Dip Coated on Chrome plated steel
Handle nut	Steel
Friction washer	PTFE
O-ring stem seal	Nitrile

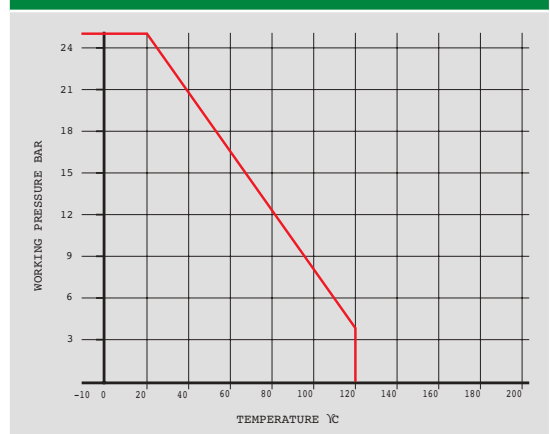
PRESSURE EQUIPMENT DIRECTIVE CATEGORY

Sizes								
DN15	DN20	DN15	DN32	DN40	DN50	DN65	DN80	DN100
1/2"	3/4"	1"	1 1/4"	1 1/2"	2"	2 1/2"	3"	4"
SEP	SEP	SEP	SEP	SEP	SEP	SEP	SEP	SEP

MAXIMUM PRESSURE CONDITIONS

Size	Maximum Pressure Conditions (bar)		Test Pressures (bar)	
	(Cold working) Temperatures up to 20°C	(Hot working) Temperatures up to 120°C	Shell	Seat
1/2" to 2"	25	4	37.5	27.5
2 1/2" to 4"	16	4	24	17.5
Size	Maximum Pressure Conditions (psi)		Test Pressures (psi)	
	Temperatures up to 68°F	Temperatures up to 248°F	Shell	Seat
1/2" to 2"	362.6	58	543.9	398.9
2 1/2" to 4"	232.1	58	348.1	253.8

PRESSURE & TEMPERATURE RATINGS



Temperature range - 10°C + 120°C (non shock)

PB500 Brass Full bore quarter turn ball valve

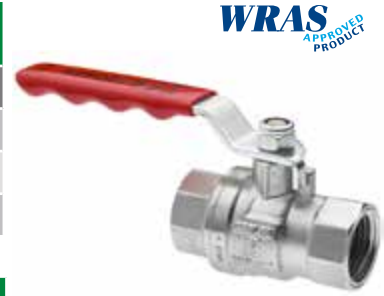
Red lever, female ends, PN25

Pegler

SIZES

Taper / American (NPT) Taper

Range	1/4"	3/8"	1/2"	3/4"	1"	1 1/4"	1 1/2"	2"	2 1/2"	3"	4"
IS07-1Rc (Taper)	242001	242002	242003	242004	242005	242006	242007	242008	242009	242010	242011
ANSI (NPT) (Taper)			242043	242044	242045	242046	242047	242048	242049	242050	242051



WRAS
APPROVED
PRODUCT

DIMENSIONS (mm)

Range	1/4"	3/8"	1/2"	3/4"	1"	1 1/4"	1 1/2"	2"	2 1/2"	3"	4"
A Face to Face	48	48.5	59	67.5	79.5	95	100	122	150	177	214
B Centre Line to Lever	35	35	39	50	55	62	77.5	84	97	122	136
Weight kg	0.15	0.15	0.23	0.4	0.61	0.95	1.33	2.18	3.75	6.20	10.45

FLOW RATES* m³/h

Range	1/4"	3/8"	1/2"	3/4"	1"	1 1/4"	1 1/2"	2"	2 1/2"	3"	4"
Cv			19.9	48.0	81.9	141.6	234.0	341.6	626.0	994.5	1591.2
Kv	5.9	9.4	17.0	41.0	70.0	121.0	200.0	292.0	535.0	850.0	1360.0

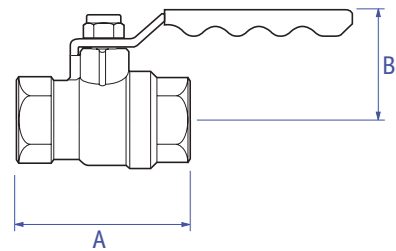
*Cv - flow rate in US GPM at a pressure drop of 1 psi.

*Kv - flow rate in m3 per hour at a pressure drop of 1 bar.

VALVE SUITABILITY

Steam	Water	Oil	Air	Gas Inert	Gas Combustible	Gas Corrosive	Gas Oxygen
✗	✓	✓	✓	✗	✗	✗	✗

Air maximum - 10 bar



MATERIAL SPECIFICATION

Component	
Body	Forged brass, Chrome plated (1/4" to 2") Gravity die cast brass, Chrome plated (2 1/2" to 4")
End Piece	Forged brass (1/4" to 2") Gravity die cast brass (2 1/2" to 4")
Ball	Brass bar, Chrome plate (1/4" to 1/2") Forged Brass, Chrome plated (3/4" to 2") Gravity die cast brass, Chrome plated (2 1/2" to 4")
Stem	Brass bar
Seats	PTFE (Teflon)
Thrust Washer	PTFE (Teflon)
Stem 'O' ring	Viton
Red Lever	High temperature PVC insulated zinc plate steel
Nut (Self locking)	Zinc plated steel

PRESSURE EQUIPMENT DIRECTIVE CATEGORY

Sizes

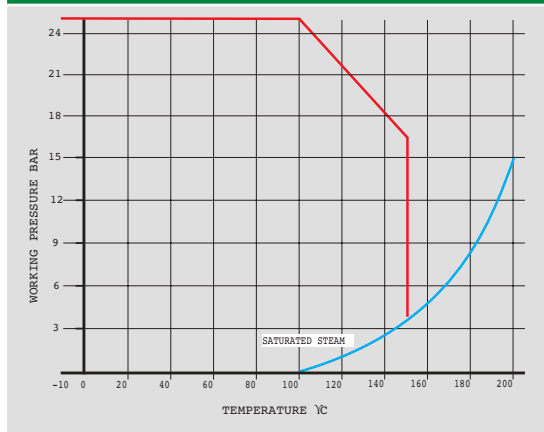
1/4"	3/8"	1/2"	3/4"	1"	1 1/4"	1 1/2"	2"	2 1/2"	3"	4"
SEP	SEP	SEP	SEP	SEP	SEP	SEP	SEP	SEP	SEP	SEP

MAXIMUM PRESSURE CONDITIONS

Size	Maximum Pressure Conditions (bar)		Test Pressures (bar)	
	(Cold working) Temperatures up to 100°C	(Hot working) Temperatures up to 150°C	Shell	Seat
1/4" to 4"	25.0	16.5	37.5	27.5
Size	Maximum Pressure Conditions (psi)		Test Pressures (psi)	
	Temperatures up to 212°F	Temperatures up to 302°F	Shell	Seat
1/4" to 4"	362.6	293.3	543.9	398.9

Temperature range - 10°C + 150°C (non shock)

PRESSURE & TEMPERATURE RATINGS



PB500T Brass full bore quarter turn ball valve

Red T handle, female ends, PN25

SIZES

Parallel Thread					
Range	1/4"	3/8"	1/2"	3/4"	1"
IS07-1Rp (PT)	243021	243022	243023	243024	243025

DIMENSIONS (mm)

PB500T					
Range	1/4"	3/8"	1/2"	3/4"	1"
A	48	48.5	59	67.5	79.5
B	36.5	36.5	40	50.5	55
Weight kg	0.15	0.15	0.22	0.38	0.58

FLOW RATES* m³/h

Range	1/4"	3/8"	1/2"	3/4"	1"
Kv	5.9	9.4	17.0	41.0	70.0

*Kv - flow rate in m3 per hour at a pressure drop of 1 bar.

VALVE SUITABILITY

Steam	Water	Oil	Air	Gas Inert	Gas Combustible	Gas Corrosive	Gas Oxygen
✓	✓	✓	✓	✗	✗	✗	✗

Air maximum - 10 bar

PRESSURE EQUIPMENT DIRECTIVE CATEGORY

Sizes				
1/4"	3/8"	1/2"	3/4"	1"
SEP	SEP	SEP	SEP	SEP

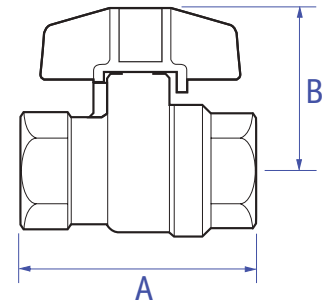
MAXIMUM PRESSURE CONDITIONS

Size	Maximum Pressure Conditions (bar)		Test Pressures (bar)	
	(Cold working) Temperatures up to 100°C	(Hot working) Temperatures up to 150°C	Shell	Seat
1/4" to 1"	25	16	37.5	27.5
Size	Maximum Pressure Conditions (psi)		Test Pressures (psi)	
	Temperatures up to 212°F	Temperatures up to 302°F	Shell	Seat
1/4" to 1"	362.6	293.3	543.9	398.9

Temperature range - 10°C + 150°C (non shock)



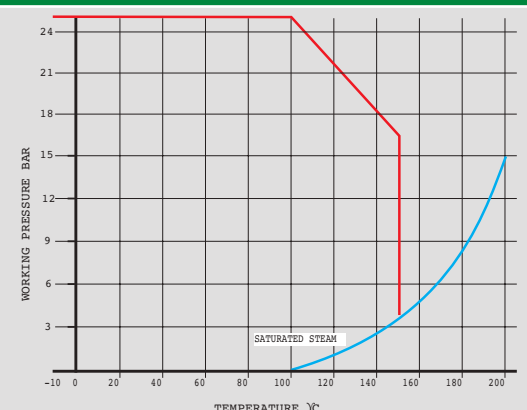
WRAS
APPROVED
PRODUCT



MATERIAL SPECIFICATION

Component	Material
Body	Forged brass, Chrome plated
End Piece	Forged brass, Chrome plated
Ball	Forged Brass, Brass Bar, Chrome plated
Stem	Brass Bar
Seats	PTFE (Teflon)
Thrust Washer	PTFE (Teflon)
Stem 'O' Ring	Viton

PRESSURE & TEMPERATURE RATINGS



PB500MF & PB500MFT

Brass full bore quarter turn ball valve

male x female, PN25

Pegler

SIZES

Parallel Thread							
Range	3/8"	1/2"	3/4"	1"	1 1/4"	1 1/2"	2"
MF ISO7-1Rp (PT) internal ISO228-1 external	242150	242151	242152	242153	242154	242155	242156
MFT ISO7-1Rp (PT) internal ISO228-1 external	242160	242161	242162	242163			

DIMENSIONS (mm)

Range	3/8"	1/2"	3/4"	1"	1 1/4"	1 1/2"	2"
A MF	53	57	69	81	97	103	127
B MF	35	39	50	55	62	78	84
Weight kg	0.155	0.218	0.382	0.574	0.891	1.272	2.074
A MFT	53	57	69	81			
B MFT	37	40	51	55			
Weight kg	0.137	0.197	0.356	0.555			

FLOW RATES* m³/h

Range	3/8"	1/2"	3/4"	1"	1 1/4"	1 1/2"	2"
Kv MF/MFT	9.40	17.0	41.0	70.0	121.0	200.0	292.0

*Kv - flow rate in m3 per hour at a pressure drop of 1 bar.

VALVE SUITABILITY

	Steam	Water	Oil	Air	Gas Inert	Gas Combustible	Gas Corrosive	Gas Oxygen
MF/MFT	✗	✓	✓	✓	✗	✗	✗	✗

Air maximum - 10 bar

MATERIAL SPECIFICATION

Component	
Body	Brass, Chrome plated
End Piece	Brass, Chrome plated
Ball	Brass, Chrome plated
Stem	Brass Bar
Seats	PTFE
Lever Handle	Steel
Friction Washer	PTFE
'O' Ring Seats	Viton
Rating disc	Aluminium

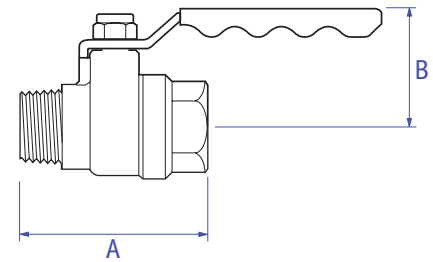
MAXIMUM PRESSURE CONDITIONS

Size	Maximum Pressure Conditions (bar)		Test Pressures (bar)	
MF/MFT	Temperatures up to 100°F	Temperatures up to 150°C	Shell	Seat
3/8" to 2"	25.0	16.5	37.5	27.5
Size	Maximum Pressure Conditions (psi)		Test Pressures (psi)	
MF/MFT	Temperatures up to 212°F	Temperatures up to 302°F	Shell	Seat
3/8" to 2"	362.6	293.3	543.9	398.9

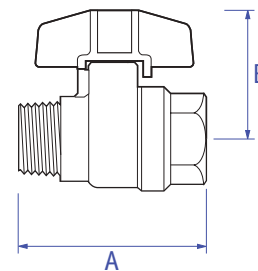
Temperature range - 10°C + 150°C (non shock)



WRAS APPROVED PRODUCT



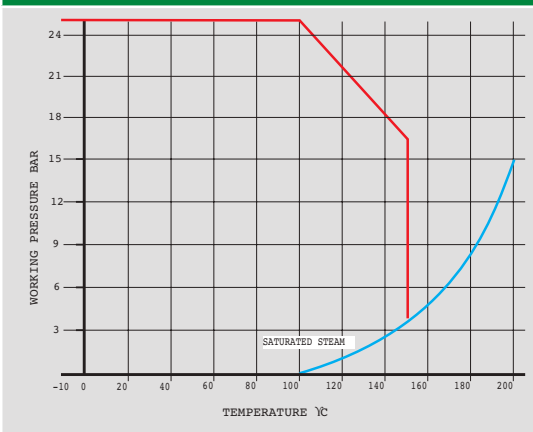
WRAS APPROVED PRODUCT



PRESSURE EQUIPMENT DIRECTIVE CATEGORY

Sizes							
	3/8"	1/2"	3/4"	1"	1 1/4"	1 1/2"	2"
MF	SEP	SEP	SEP	SEP	SEP	SEP	SEP
MFT	SEP	SEP	SEP	SEP			

PRESSURE & TEMPERATURE RATINGS



PB500DC Brass full bore ball valve

with drain cock and Red handle, female ends, PN25



SIZES

Parallel Thread			
Range	1/2"	3/4"	1"
ISO7- 1 Rp (PT)	242166	242167	242168

DIMENSIONS (mm)

228			
Range	1/2"	3/4"	1"
A	68	76	88
B	40	50	55
C	51	51	60
Weight kg	0.319	0.504	0.707

VALVE SUITABILITY

Steam	Water	Oil	Air	Gas Inert	Gas Combustible	Gas Corrosive	Gas Oxygen
✗	✓	✗	✗	✗	✗	✗	✗

FLOW RATES* m³/h

Range	1/4"	3/4"	1"
Kv	17.0	41.0	70.0

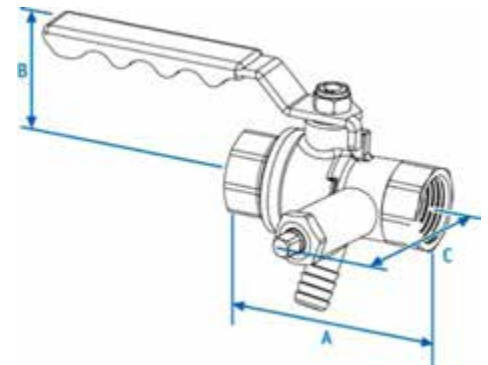
MATERIAL SPECIFICATION

Component	Material
Body	Brass, Chrome plated
End Piece	Brass, Chrome plated
Ball	Brass, Chrome plated
Stem	Brass, Chrome plated
Seats	PTFE
Lever Handle	Steel
Handle Nut	Steel
Friction Washer	PTFE
'O' Ring seals	Viton

MAXIMUM PRESSURE CONDITIONS

Size	Maximum Pressure Conditions (bar)		Test Pressures (bar)	
	Temperatures up to 100°C	Temperatures up to 150°C	Shell	Seat
1/2" to 1"	25	16.5	37.5	27.5
Size	Maximum Pressure Conditions (psi)		Test Pressures (psi)	
	Temperatures up to 212°F	Temperatures up to 302°F	Shell	Seat
1/2" to 1"	362.6	293.3	543.9	398.9

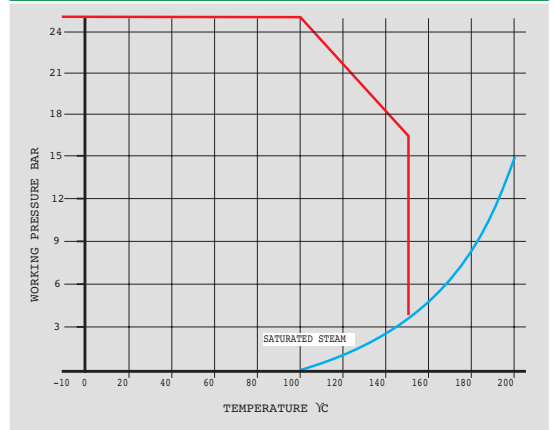
Temperature range - 10°C + 150°C (non shock)



PRESSURE EQUIPMENT DIRECTIVE CATEGORY

Sizes		
1/2"	3/4"	1"
SEP	SEP	SEP

PRESSURE & TEMPERATURE RATINGS



PB550DR DZR Full bore quarter turn ball valve

Blue lever handle, female ends, PN25

Pegler



SIZES						
Taper						
Range	1/2"	3/4"	1"	1 1/4"	1 1/2"	2"
ISO7-1Rc (Taper)	245201	245202	245203	245204	245205	245206
Lockshield	245260	245261	245262	245263	245264	265265

DIMENSIONS (mm)						
Range	1/2"	3/4"	1"	1 1/4"	1 1/2"	2"
A	59	68	80	95	100	124
B	39	51	56	63	78	88
Weight kg	0.23	0.41	0.61	0.94	1.33	2.21
B Lockshield	45	53	58	65	81	88
Weight kg Lockshield	0.21	0.37	0.57	1.15	1.21	2.79



FLOW RATES m ³ /h						
Range	1/2"	3/4"	1"	1 1/4"	1 1/2"	2"
Kv	17.0	41.0	70.0	121.0	200.0	292.0

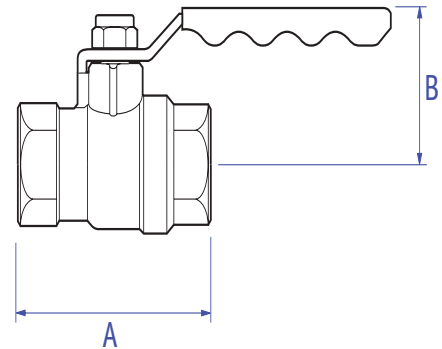
VALVE SUITABILITY							
Steam	Water	Oil	Air	Gas Inert	Gas Combustible	Gas Corrosive	Gas Oxygen
✓	✓	✓	✓	✗	✗	✗	✗

Air maximum - 10 bar

MATERIAL SPECIFICATION	
Component	Material
Body	DZR Brass
Ball	Brass, Chrome plated
Stem	DZR Brass
Stem 'O' Ring	Viton
Seat rings	PTFE (Teflon)
Lever handle	Steel
Lever nut self locking	Zinc plated steel
Tee handle security screw	Nickel plated brass
Lockshield dust cap	Plastic
Lockshield	Brass
Lockshield security screw	Brass
Sleeve	Brass (EL)
Ext Stem	Brass (EL)
Fixing screw	Steel (EL)
Washer	Brass (EL)

MAXIMUM PRESSURE CONDITIONS				
Size	Maximum Pressure Conditions (bar)		Test Pressures (bar)	
	Tem peratures up to 100°C	Temperatures up to 150°C	Shell	Seat
1/2" to 2"	25.0	16.5	37.5	27.5
Size	Maximum Pressure Conditions (psi)		Test Pressures (psi)	
	Temperatures up to 362.6°F	Temperatures up to 302°F	Shell	Seat
1/2" to 2"	293.3	293.3	543.9	398.9

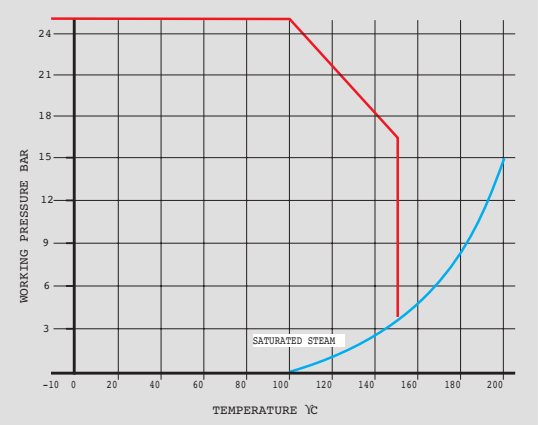
Temperature range -10°C - +150°C (non shock)



PRESSURE EQUIPMENT DIRECTIVE CATEGORY

Sizes					
1/2"	3/4"	1"	1 1/4"	1 1/2"	2"
SEP	SEP	SEP	SEP	SEP	SEP

PRESSURE & TEMPERATURE RATINGS



PB550DR T DZR Full bore quarter turn ball valve

Blue Tee handle, female ends, PN25



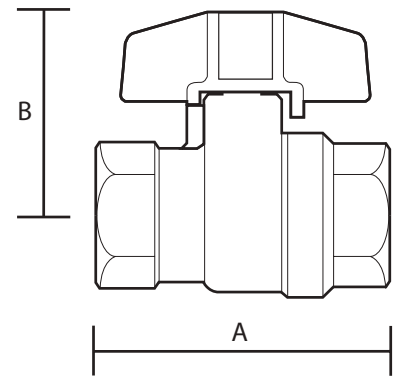
SIZES			
Taper			
Range	1/2"	3/4"	1"
IS07- 1 Rc (Taper)	245211	245212	245213

DIMENSIONS (mm)			
Range	1/2"	3/4"	1"
A	59	68	80
B	39	51	56
Weight kg	0.22	0.38	0.58

FLOW RATES m ³ /h			
Range	1/2"	3/4"	1"
Kv	17.0	41.0	70.0

VALVE SUITABILITY							
Steam	Water	Oil	Air	Gas Inert	Gas Combustible	Gas Corrosive	Gas Oxygen
✓	✓	✓	✓	✗	✗	✗	✗

Air maximum - 10 bar

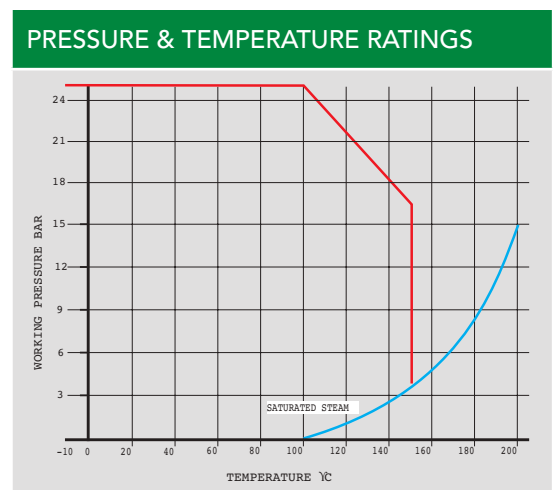


MATERIAL SPECIFICATION	
Component	Material
Body	DZR Brass
Ball	Brass, Chrome plated
Stem	DZR Brass
Stem 'O' Ring	Viton
Seat rings	PTFE (Teflon)
Tee handle	Aluminium
Security Screws	Brass
Tee handle security screw	Nickel plated brass

PRESSURE EQUIPMENT DIRECTIVE CATEGORY		
Sizes		
1/2"	3/4"	1"
SEP	SEP	SEP

MAXIMUM PRESSURE CONDITIONS				
Size	Maximum Pressure Conditions (bar)		Test Pressures (bar)	
	Temperatures up to 110°C	Temperatures up to 186°C	Shell	Seat
1/2" to 1"	40.0	10.0	60.0	44.0
Size	Maximum Pressure Conditions (psi)		Test Pressures (psi)	
	Temperatures up to 212°F	Temperatures up to 389°F	Shell	Seat
1/2" to 1"	580.2	145.0	870.2	638.2

Temperature range - 10°C + 150°C (non shock)



PB500 Brass Full bore quarter turn ball valve

Yellow lever, female ends, PN25

Pegler

SIZES

Taper / Parallel Thread / American (NPT) Taper

Range	1/4"	3/8"	1/2"	3/4"	1"	1 1/4"	1 1/2"	2"	2 1/2"	3"	4"
ISO7-1Rc (Taper)	242101	242102	242103	242104	242105	242106	242107	242108	242109	242110	242111
ANSI (NPT) (Taper)	242121	242122	242123	242124	242125	242126	242127	242128			

DIMENSIONS (mm)

Range	1/4"	3/8"	1/2"	3/4"	1"	1 1/4"	1 1/2"	2"	2 1/2"	3"	4"
A Face to Face	48	48.5	59	67.5	79.5	95	100	122	150	177	214
B Centre Line to Lever	35	35	39	50	55	62	77.5	84	97	122	136
Weight kg	0.15	0.15	0.23	0.4	0.61	0.95	1.33	2.18	3.75	6.20	10.45

FLOW RATES* m³/h

Range	1/4"	3/8"	1/2"	3/4"	1"	1 1/4"	1 1/2"	2"	2 1/2"	3"	4"
Cv			19.9	48.0	81.9	141.6	234.0	341.6	626.0	994.5	1591.2
Kv	5.9	9.4	17.0	41.0	70.0	121.0	200.0	292.0	535.0	850.0	1360.0

*Cv - flow rate in US GPM at a pressure drop of 1 psi.

*Kv - flow rate in m3 per hour at a pressure drop of 1 bar.

VALVE SUITABILITY

Steam	Water	Oil	Air	Gas Inert	Gas Combustible	Gas Corrosive	Gas Oxygen
✗	✓	✓	✓	✓	✓	✓	✗

† The valves are suitable for British gas application family groups 1, 2 and 3.

†† Suitable in applications where moisture is completely absent.

Gas application conditions -20°C to +60°C 5 bar (British Gas MOPS) LPG: Maximum 10 bar, Air maximum 10 bar

MATERIAL SPECIFICATION

Component	
Body	Forged brass, Chrome plated (1/4" to 2") Gravity die cast brass, Chrome plated (2 1/2" to 4")
End Piece	Forged brass (1/4" to 2") Gravity die cast brass (2 1/2" to 4")
Ball	Brass bar, Chrome plate (1/4" to 1/2") Forged Brass, Chrome plated (3/4" to 2") Gravity die cast brass, Chrome plated (2 1/2" to 4")
Stem	Brass bar
Seats	PTFE (Teflon)
Thrust Washer	PTFE (Teflon)
Stem 'O' ring	Viton
Red Lever	High temperature PVC insulated zinc plate steel
Nut (Self locking)	Zinc plated steel

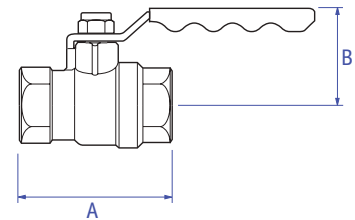
MAXIMUM PRESSURE CONDITIONS

Size	Maximum Pressure Conditions (bar)		Test Pressures (bar)	
	(Cold working) Temperatures up to 100°C	(Hot working) Temperatures up to 150°C	Shell	Seat
1/4" to 4"	25.0	16.5	37.5	27.5
Size	Maximum Pressure Conditions (psi)		Test Pressures (psi)	
	Temperatures up to 212°F	Temperatures up to 302°F	Shell	Seat
1/4" to 4"	362.6	293.3	543.9	398.9

Temperature range - 10°C + 150°C (non shock)

WRAS
APPROVED
PRODUCT

CE
1/4" - 2"



Tested to EN331:1998+A1:2010
Construction Products Regulations
CE Marked 1/4" - 2"
Notified Body BS1 0086
Declaration of Performance on
Pegler Yorkshire website

PRESSURE EQUIPMENT DIRECTIVE CATEGORY

Sizes

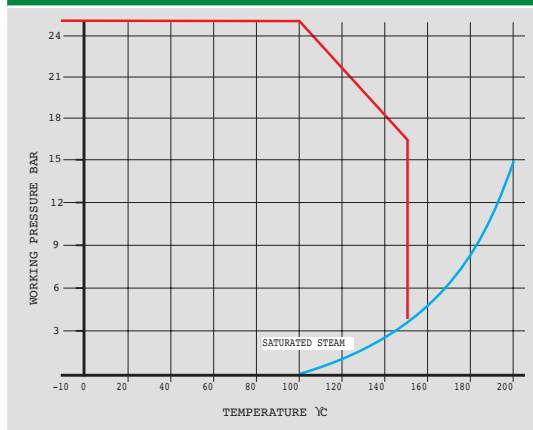
1/4"	3/8"	1/2"	3/4"	1"	1 1/4"	1 1/2"	2"	2 1/2"	3"	4"
SEP	SEP	SEP	SEP	SEP	CAT1	CAT1	CAT1	CAT1	CAT1	CAT1

CAT 1 - carries the CE mark.

Sizes 1/4 - 2 suitable for group 1 liquids and gases.

Sizes 2 1/4 - 4 suitable for group 1 gases (10 bar max) and group 2 liquids

PRESSURE & TEMPERATURE RATINGS



PB700 Brass full bore quarter turn ball valve

Yellow lever, female ends, PN40



SIZES											
Taper / Parallel thread / American (NPT) Taper											
Range	1/4"	3/8"	1/2"	3/4"	1"	1 1/4"	1 1/2"	2"	2 1/2"	3"	4"
ISO7-1Rc (Taper)	230001	230002	230003	230004	230005	230006	230007	230008	230009	230010	242011
ANSI (NPT) (Taper)	230061	230062	230063	230064	230065	230066	230067	230068	230069	230070	230071

DIMENSIONS (mm)											
Range	1/4"	3/8"	1/2"	3/4"	1"	1 1/4"	1 1/2"	2"	2 1/2"	3"	4"
A Face to Face	48	49	59	67.5	79.5	95	100	124.5	150	177	214
B Centre Line to Lever	35	35	39	50	55	62	77.5	88	97	122	136
Weight kg	0.16	0.16	0.24	0.44	0.64	1.01	1.42	2.38	4.14	6.71	10.98

FLOW RATES* m ³ /h											
Range	1/4"	3/8"	1/2"	3/4"	1"	1 1/4"	1 1/2"	2"	2 1/2"	3"	4"
Cv	6.9	11.0	19.9	48.0	81.9	141.6	234.0	341.6	626.0	994.5	1591.2
Kv	5.9	9.4	17.0	41.0	70.0	121.0	200.0	292.0	535.0	850.0	1360.0
Kv Gas	3.8	4.2	11.3	23.8	31.1	67.2	101.5	148.0			

*Cv - flow rate in US GPM at a pressure drop of 1 psi.

*Kv - flow rate in m3 per hour at a pressure drop of 1 bar.

VALVE SUITABILITY							
Steam	Water	Oil	Air	Gas Inert	Gas Combustible†	Gas Corrosive††	Gas Oxygen
✓	✓	✓	✓	✓	✓	✓	✗

† The valves are suitable for British Gas Applications Family Gases 1, 2 and 3 †† Suitable in applications where moisture is completely absent.

Gas Application Conditions: -20°C to +60°C maximum 5 bar. BritishGas (MOP 5). LPG: maximum 10 bar. Air: maximum 10 bar.



Tested to EN331:1998+A1:2010
Construction Products Regulations
CE Marked 1/4" - 2"
Notified Body BS1 0086
Declaration of Performance on
Pegler Yorkshire website

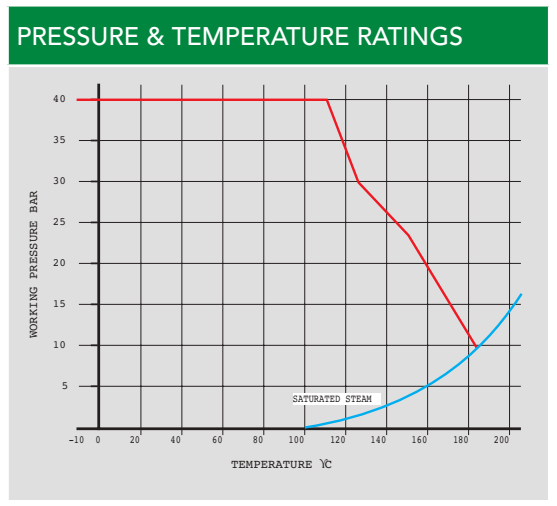
MATERIAL SPECIFICATION	
Component	
Body	Forged brass, Chrome plated (1/4" to 2) Gravity die cast brass, Chrome plated (2 1/2" to 4)
End Piece	Forged brass (1/4" to 2") Gravity die cast brass (2 1/2" - 4) Gravity die cast brass, Chrome plated (2 1/2" to 4)
Ball	Brass bar, Chrome plate (1/4" to 1/2") Forged Brass, Chrome plated (3/4" to 2") Gravity die cast brass, Chrome plated (2 1/2" to 4)
Stem	Brass bar
Seats	PTFE (Teflon)
Thrust Washer	PTFE (Teflon)
Stem 'O' ring	Viton
Red Lever	High temperature PVC insulated zinc plate steel
Nut (Self locking)	Zinc plated steel

PRESSURE EQUIPMENT DIRECTIVE CATEGORY											
Sizes											
1/4"	3/8"	1/2"	3/4"	1"	1 1/4"	1 1/2"	2"	2 1/2"	3"	4"	
SEP	SEP	SEP	SEP	SEP	Cat 1	Cat 1	Cat 1	Cat 1	Cat 1	Cat 1	

Cat 1 carries the CE Mark.
Sizes 1/4" to 2" suitable for group 1 liquids and gases.
Sizes 2 1/2" 3" and 4" suitable for group 1 gases (10 bar max)
and group 2 liquids.

MAXIMUM PRESSURE CONDITIONS				
Size	Maximum Pressure Conditions (bar)		Test Pressures (bar)	
	Temperatures up to 110°C	Temperatures up to 186°C	Shell	Seat
1/4" to 4"	40.0	10.0	60.0	44.0
Size	Maximum Pressure Conditions (psi)		Test Pressures (psi)	
	Temperatures up to 212°F	Temperatures up to 302°F	Shell	Seat
1/4" to 4"	580.2	145.0	870.2	638.2

Temperature range - 10°C + 186°C (non shock)



PB700T Brass full bore quarter turn ball valve

Yellow "T" handle PN40, female ends

Pegler

SIZES

Taper					
Range	1/4"	3/8"	1/2"	3/4"	1"
IS07-1Rc (Taper)	231001	231002	231003	231004	231005

DIMENSIONS (mm)

Range	1/4"	3/8"	1/2"	3/4"	1"
A Face to Face	48	48.5	59	67-5	79.5
B Centre Line to Lever	36.5	36.5	40	50.5	55
Weight kg	0.14	0.26	0.27	0.49	0.72

FLOW RATES* m3/h

Range	1/4"	3/8"	1/2"	3/4"	1"
Kv	5.9	9.4	17.0	41.0	70.0
Kv Gas	3.8	4.2	11.3	23.8	31.1

*Kv - flow rate in m3 per hour at a pressure drop of 1 bar.

*Kv Gas - flow rate in m3 per hour at a pressure drop of 1 mbar.

VALVE SUITABILITY

Steam	Water	Oil	Air	Gas Inert	Gas Combustible†	Gas Corrosive††	Gas Oxygen
✓	✓	✓	✓	✓	✓	✓	✗

† The valves are suitable for British Gas Applications Family Gases 1, 2 and 3 †† Suitable in applications where moisture is completely absent.

Gas Application Conditions: -20°C to +60°C maximum 5 bar. BritishGas (MOP 5). LPG: maximum 10 bar. Air: maximum 10 bar.

MATERIAL SPECIFICATION

Component	Material
Body	Forged brass, Chrome plated (1/4" to 1")
End piece	Forged brass, Chrome plated (1/4" to 1")
Ball	Brass Bar, Chrome plated (1/4" to 1/2") Forged Brass, Chrome plated (3/4" to 1")
Stem	Brass Bar
Seats	PTFE (Teflon)
Thrust Washer	PTFE (Teflon)
Stem 'O' Ring	Viton
Yellow Tee Handle	Aluminium, Painted
Security Screws	Nickel Plated Brass

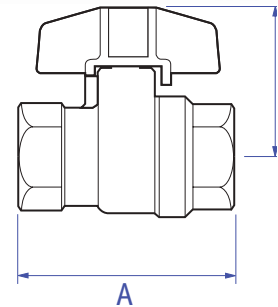
MAXIMUM PRESSURE CONDITIONS

Size	Maximum Pressure Conditions (bar)		Test Pressures (bar)	
	Temperatures up to 110°C	Temperatures up to 186°C	Shell	Seat
1/4" to 1"	40.0	10.0	60	44
Size	Maximum Pressure Conditions (psi)		Test Pressures (psi)	
	Temperatures up to 212°F	Temperatures up to 389°F	Shell	Seat
1/4" to 1"	580.2	145	870.2	638.2

Temperature range - 10°C + 186°C (non shock)

WRAS
APPROVED
PRODUCT

CE



Tested to EN331:1998+A1:2010
Construction Products Regulations
CE Marked 1/4" - 2"
Notified Body BS1 0086
Declaration of Performance on
Pegler Yorkshire website

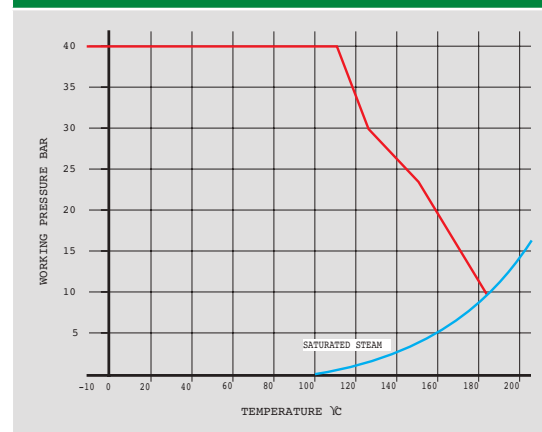
PRESSURE EQUIPMENT DIRECTIVE CATEGORY

Sizes

1/4"	3/8"	1/2"	3/4"	1"
SEP	SEP	SEP	SEP	SEP

Sizes 1/4" to 1" suitable for group 1 liquids and gases.

PRESSURE & TEMPERATURE RATINGS



PB300 Brass full bore quarter turn ball valve

Red lever handle, compression ends, PN16.

Pegler

SIZES						
Compression connections EN1254-2						
Range	15	22	28	35	42	54
Code	254001	254002	254003	254004	254005	254006

DIMENSIONS (mm)						
Range	15	22	28	35	42	54
A Face to Face	77	85	100	120	135	160
B Centre Line to Lever	46	54	57	62	77	84
Weight kg	0.24	0.41	0.59	0.875	1.46	2.35

FLOW RATES* m3/h						
Range	15	22	28	35	42	54
Kv	17.0	41.0	70.0	121.0	200.0	292.0

Kv - flow rate in m3 per hour at a pressure drop of 1 bar.

VALVE SUITABILITY							
Steam	Water	Oil	Air	Gas Inert	Gas Combustible†	Gas Corrosive††	Gas Oxygen
✓	✓	✓	✓	✓	✓	✓	✗

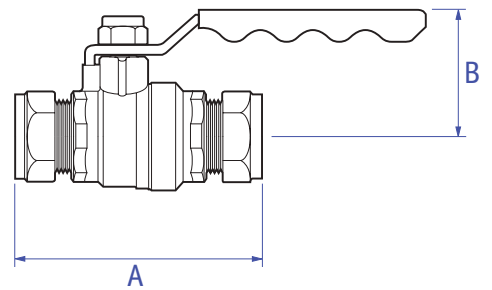
† The valves are suitable for British Gas Applications Family Gases 1, 2 and 3 †† Suitable in applications where moisture is completely absent.

Gas Application Conditions: -20°C to +60°C maximum 5 bar. BritishGas (MOP 5). LPG: maximum 10 bar. Air: maximum 10 bar.

MATERIAL SPECIFICATION	
Component	
Body	Forged brass, Chrome plated
End Piece	Forged brass, Chrome plated
Ball	Brass bar, Chrome plate (15mm) Forged Brass, Chrome plated (22 to 54mm)
Stem	Brass bar
Seats	PTFE (Teflon)
Thrust Washer	PTFE (Teflon)
Stem 'O' ring	Viton
Lever (Red Yellow or Blue)	High temperature PVC insulated zinc plated steel
Nut (Self locking)	Zinc plated steel
Compression Nut	Forged Brass, Chrome Plated
Compression Cone	Brass

MAXIMUM PRESSURE CONDITIONS				
Size	Maximum Pressure Conditions (bar)		Test Pressures (bar)	
	(Cold working) Temperatures up to 30°C	(Hot working) Temperatures up to 120°C	Shell	Seat
15 to 54mm	16.0	5.0	24.0	17.6
Size	Maximum Pressure Conditions (psi)		Test Pressures (psi)	
	Temperatures up to 212°F	Temperatures up to 302°F	Shell	Seat
15 to 54mm	232.1	72.5	348.1	253.8

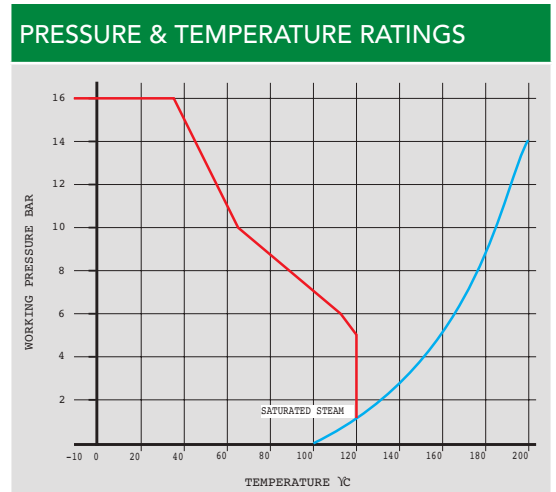
Temperature range - 10°C + 120°C (non shock)



Tested to EN331:1998+A1:2010
Construction Products Regulations
CE Marked 1/4" - 2"
Notified Body BS1 0086
Declaration of Performance on
Pegler Yorkshire website

PRESSURE EQUIPMENT DIRECTIVE CATEGORY					
Sizes					
15	22	28	35	42	54
SEP	SEP	SEP	Cat 1	Cat 1	Cat 1

Cat 1 carries CE Mark suitable for group 1 liquids and gases and group 2 liquids



PB300T Brass full bore quarter ball valve

Red "T" handle, compression ends PN16

Pegler

SIZES

Compression connections EN 1254-2

Range	15	22	28
Code	255001	255002	255003

DIMENSIONS (mm)

Range	15	22	28
A Face to Face	77	85	100
B Centre Line to Lever	42	54	57
C Tee Length	50	60	60
Weight kg	0.22	0.39	0.56

FLOW RATES* m3/h

Range	15	22	28
Kv	17.0	41.0	70.0

*Kv - flow rate in m3 per hour at a pressure drop of 1 bar.

VALVE SUITABILITY

Steam	Water	Oil	Air	Gas Inert †	Gas Combustible ††	Gas Corrosive	Gas Oxygen
✓	✓	✓	✓	✗	✗	✗	✗

† The valves are suitable for British Gas Applications Family Gases 1, 2 and 3 †† Suitable in applications where moisture is completely absent.

Gas Application Conditions: -20°C to +60°C maximum 5 bar. BritishGas (MOP 5). LPG: maximum 10 bar. Air: maximum 10 bar.

MATERIAL SPECIFICATION

Component	Material
Body	Forged brass, Chrome plated
End piece	Forged brass, Chrome plated
Ball	Brass Bar, Chrome plated (15mm) Forged Brass, Chrome Plated (22 to 28mm)
Stem	Brass Bar
Seats	PTFE (Teflon)
Thrust Washer	PTFE (Teflon)
Stem 'O' Ring	Viton
Compression Nut	Forged brass, Chrome plated
Compression Cone	Brass
Tee Handle (Red, Blue or Yellow)	Aluminium, Painted
Security Screw	Nickel Plated Brass

MAXIMUM PRESSURE CONDITIONS

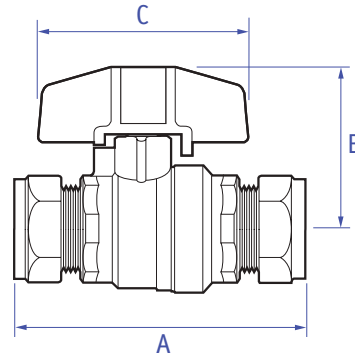
Size	Maximum Pressure Conditions (bar)		Test Pressures (bar)	
	(Cold working) Temperatures up to 30°C	(Hot working) Temperatures up to 120°C	Shell	Seat
15 to 54mm	16.0	5.0	24.0	17.6
Size	Maximum Pressure Conditions (psi)		Test Pressures (psi)	
	Temperatures up to 86°F	Temperatures up to 248°F	Shell	Seat
15 to 54mm	232.1	72.5	348.1	253.8

Temperature range - 10°C + 120°C (non shock)



WRAS
APPROVED
PRODUCT

CE



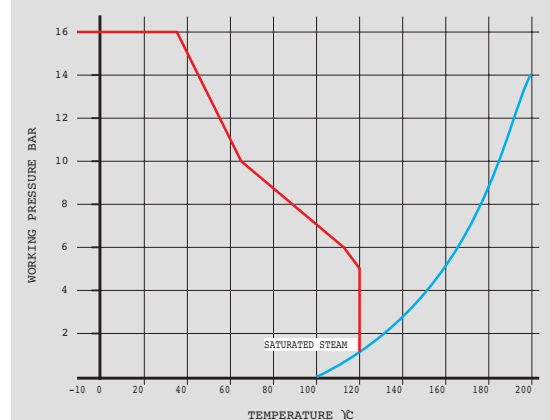
Tested to EN331:1998+A1:2010
Construction Products Regulations
CE Marked ¼" - 2"
Notified Body BS1 0086
Declaration of Performance on
Pegler Yorkshire website

PRESSURE EQUIPMENT DIRECTIVE CATEGORY

Sizes

15	22	28
SEP	SEP	SEP

PRESSURE & TEMPERATURE RATINGS



V905 V905G Cast iron butterfly valve PN16



Fully lugged, to BS EN 593:2004, face to face dimensions to BS EN 558:2008



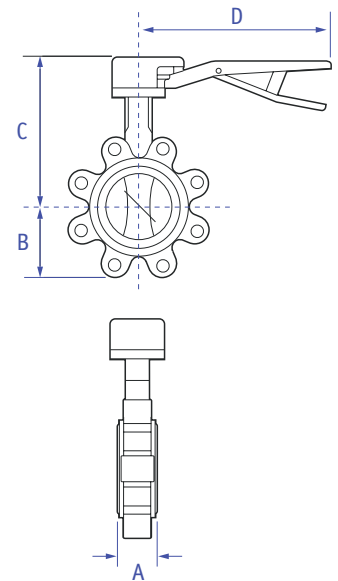
SIZES								
Flange connection								
Range	DN65	DN80	DN100	DN125	DN150	DN200	DN250*	DN300*
Code	15300	15301	15302	15303	15304	15305	15306	15307

*Geared wheel operation, V905G

DIMENSIONS (mm)								
Range	DN65	DN80	DN100	DN125	DN150	DN200	DN250	DN300
A	46	46	52	56	56	60	68	78
B	70	89	106	120	132	164	200	238
C	181	187	211	226	239	293	469	494
D	200	200	290	290	290	450	341	341
Weight kg	5.80	6.00	10.30	13.50	14.60	21.40	42	67

FLOW RATES m ³ /h								
Range	DN65	DN80	DN100	DN125	DN150	DN200	DN250	DN300
Kv	229.32	353.34	702.00	1195.74	1874.43	3669.12	6247.8	9652.5

VALVE SUITABILITY							
Steam	Water	Oil	Air	Gas Inert	Gas Combustible	Gas Corrosive	Gas Oxygen
✗	✓	✗	✗	✗	✗	✗	✗

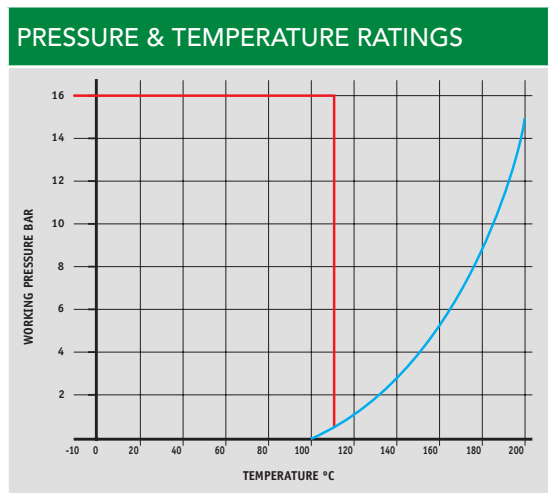


MATERIAL SPECIFICATION	
Component	
Body	Cast Iron
Shaft	Stainless Steel
Disc	Stainless Steel
Bushes up to 100mm	PTFE
Bushes up to 125mm	Gunmetal
'O' Ring	EPDM
Liner	EPDM

PRESSURE EQUIPMENT DIRECTIVE CATEGORY							
Sizes							
DN65	DN80	DN100	DN125	DN150	DN200	DN250	DN300
SEP	SEP	SEP	SEP	SEP	SEP	SEP	SEP

MAXIMUM PRESSURE CONDITIONS				
Size	Maximum Pressure Conditions (bar)		Test Pressures (bar)	
	Temperatures up to 120°C	Temperatures up to 120°C	Shell	Seat
DN65 to DN300	16.0	16.0	24	17.6
Size	Maximum Pressure Conditions (psi)		Test Pressures (psi)	
	Temperatures up to 248°F	Temperatures up to 248°F	Shell	Seat
DN65 to DN300	232.1	232.1	348.1	253.8

Temperature range -10°C - +120°C



V906 V906G Cast iron butterfly valve PN16

Pegler

Semi lugged, to BS EN 593:2004, face to face dimensions to BS EN 558:2008

SIZES

Flange connections

Range	DN65	DN80	DN100	DN125	DN150	DN200	DN250*	DN300*
Code	15316	15317	15318	15319	15320	15321	15322	15323

*Geared wheel operation, V906G

DIMENSIONS (mm)

Range	DN65	DN80	DN100	DN125	DN150	DN200	DN250	DN300
A	46	46	52	56	56	60	68	78
B	70	89	106	120	132	164	200	238
C	181	187	211	226	239	293	469	494
D	200	200	290	290	290	450	341	341
Weight kg	4.40	5.00	6.10	8.00	9.60	15.10	31.5	50.5

FLOW RATES m³/h

Range	DN65	DN80	DN100	DN125	DN150	DN200	DN250	DN300
Kv	229.32	353.34	702.00	1195.74	1874.43	3669.12	6247.8	9652.5

VALVE SUITABILITY

Steam	Water	Oil	Air	Gas Inert	Gas Combustible	Gas Corrosive	Gas Oxygen
✗	✓	✗	✗	✗	✗	✗	✗

MATERIAL SPECIFICATION

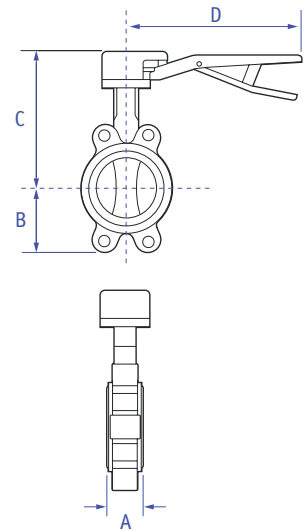
Component	
Body	Cast Iron
Shaft	Stainless Steel
Disc	Stainless Steel
Bushes up to 100mm	PTFE
Bushes up to 125mm	Gunmetal
'O' Ring	EPDM
Liner	EPDM

MAXIMUM PRESSURE CONDITIONS

Size	Maximum Pressure Conditions (bar)		Test Pressures (bar)	
	Temperatures up to 120°C	Temperatures up to 120°C	Shell	Seat
DN65 to DN300	16.0	16.0	24	17.6
Size	Maximum Pressure Conditions (psi)		Test Pressures (psi)	
	Temperatures up to 248°F	Temperatures up to 248°F	Shell	Seat
DN65 to DN300	232.1	232.1	348.1	253.8

Temperature range -10°C - +120°C

WRAS
APPROVED
PRODUCT

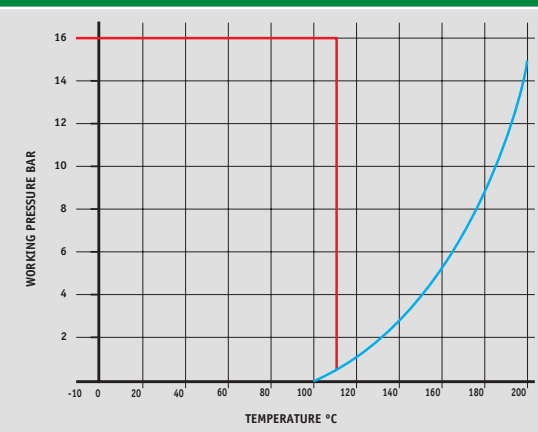


PRESSURE EQUIPMENT DIRECTIVE CATEGORY

Sizes

DN65	DN80	DN100	DN125	DN150	DN200	DN250	DN300
SEP	SEP	SEP	SEP	SEP	SEP	SEP	SEP

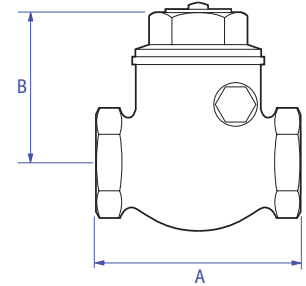
PRESSURE & TEMPERATURE RATINGS



1060A Bronze threaded swing check valve. BS 5154 PN25 series B, metal disk.



SIZES									
Taper / Parallel thread / American (NPT) taper									
Range	1/2"	3/4"	1"	1 1/4"	1 1/2"	2"	2 1/2"	3"	4"
IS07-1RC (Taper)	122007	122008	122009	122010	122011	122012	122013	122014	122015
IS07-1RP (PT)	122047	122048	122049	122050	122051	122052			
ANSI NPT (AT) (Taper)	122027	122028	122029	122030	122031	122032	122033	122034	



DIMENSIONS (mm)									
Range	1/2"	3/4"	1"	1 1/4"	1 1/2"	2"	2 1/2"	3"	4"
A	62	76	83	94	105	125	148	175	222
B Lever	45	55	60	65	75	90	110	125	130
Weight kg	0.38	0.58	0.86	1.26	1.66	2.66	3.52	4.48	8.38

FLOW RATES* m3/h							
Size	Flow l/s	Kv m3/h	Cv - US GPM	Size	Flow l/s	Kv m3/h	Cv - US GPM
1/2"	0.04	1.80	2.10	1 1/2"	0.40	30.30	34.80
	0.10	3.70	4.30		0.60	40.20	46.20
	0.20	5.10	5.90		0.80	48.50	55.70
	0.40	5.70	6.50		3.00	54.40	62.50
3/4"	0.04	2.70	3.10	2"	0.60	42.00	48.30
	0.10	5.50	6.30		0.80	54.00	62.00
	0.40	13.60	15.60		1.50	86.20	99.00
	1.00	15.30	17.60		4.00	98.00	112.60
1"	0.01	7.70	8.80	2 1/2"	1.50	97.60	-
	0.20	13.90	16.00		3.00	135.30	-
	0.30	18.40	21.10		4.00	156.00	-
1 1/4"	0.20	15.00	17.2	3"	2.00	144.60	-
	0.30	20.60	23.7		3.00	168.40	-
	0.40	25.30	29.1		5.00	229.00	-
	1.00	32.60	37.5				

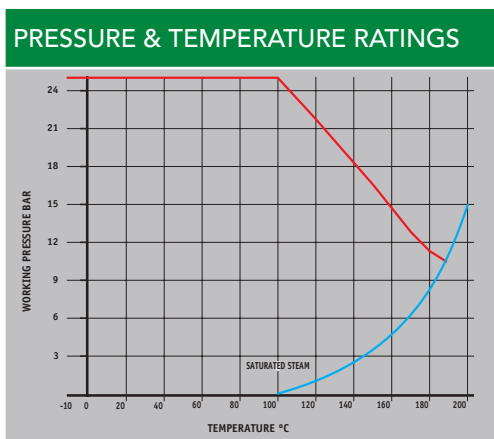
VALVE SUITABILITY	
Steam	✓
Water	✓
Oil	✓
Air	✗
Gas Inert	✗
Gas Combustible	✗
Gas Corrosive	✗
Gas Oxygen	✗

*Cv - flow rate in US GPM at a pressure drop of 1 psi. *Kv - flow rate in m3 per hour at a pressure drop of 1 bar.

MATERIAL SPECIFICATION	
Component	Material
Body	Gunmetal
Cap	Forged brass (1/4" to 2") Gunmetal (2 1/4" to 4")
Valve	Gunmetal
Swinger	Brass bar (1/4" to 1") Gunmetal (1 1/4" to 4")
Swinger Pin	Brass Bar
Swinger Pin Cap	Brass Bar (2 1/2" to 4")
Nut	Brass Bar
Rating Disc	Tinned Iron Sheet

PRESSURE EQUIPMENT DIRECTIVE CATEGORY								
Sizes								
1/2"	3/4"	1"	1 1/4"	1 1/2"	2"	2 1/2"	3"	4"
SEP	SEP	SEP	SEP	SEP	SEP	SEP	SEP	SEP

MAXIMUM PRESSURE CONDITIONS				
Size	Maximum Pressure Conditions (bar)		Test Pressures (bar)	
	Temp. up to 100°C	Temp. up to 186°C	Shell	Seat
1/4" to 2"	25.0	10.5	37.5	27.5
Size	Maximum Pressure Conditions (psi)		Test Pressures (psi)	
	Temp. up to 212°F	Temp. up to 367°F	Shell	Seat
1/2" to 2"	362.6	152.3	543.9	398.9
2 1/2" to 4"	Temp. up to 110°F	Temp. up to 140°F	Shell	Seat
	16	10	24	17.5
2 1/2" to 4"	Temp. up to 212°F	Temp. up to 367°F	Shell	Seat
	232.1	145.0	348.1	253.8



1039 Bronze horizontal lift check valve

Female ends, PN32



SIZES

Range	1/2"	3/4"	1"	1 1/4"	1 1/2"	2"
ISO7-1Rc Tapes	119007	119008	119009	119010	119011	119012
Parallel ISO 228	119047	119048	119049			

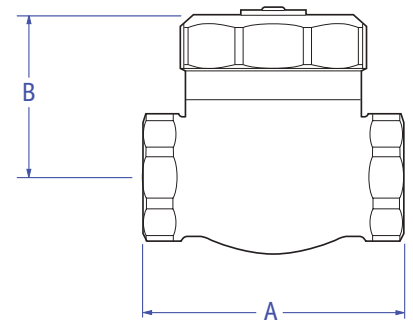
DIMENSIONS (mm)

Range	1/2"	3/4"	1"	1 1/4"	1 1/2"	2"
A	57	65	78	89	100	121
B	30	40	48	55	60	65
Weight kg	0.28	0.44	0.68	1.14	1.46	2.24



VALVE SUITABILITY

Steam	Water	Oil	Air	Gas Inert	Gas Combustible	Gas Corrosive	Gas Oxygen
✗	✓	✓	✗	✗	✗	✗	✗



PRESSURE EQUIPMENT DIRECTIVE CATEGORY

Sizes						
1/2"	3/4"	1"	1 1/4"	1 1/2"	2"	
SEP	SEP	SEP	SEP	SEP	SEP	

MAXIMUM PRESSURE CONDITIONS

Size	Maximum Pressure Conditions (bar)		Test Pressures (bar)	
	Temperatures up to 100°C	Temperatures up to 198°C	Shell	Seat
1/2" to 2"	32	14	48	35.2

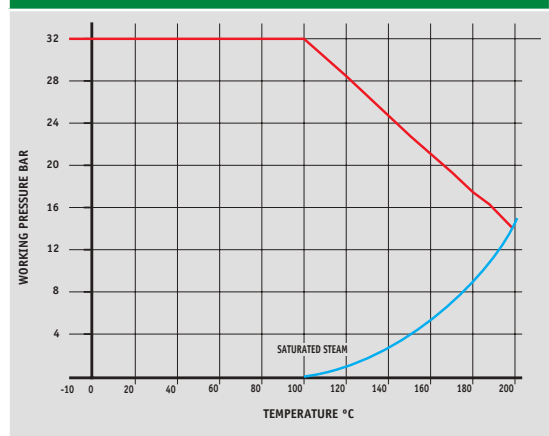
Size	Maximum Pressure Conditions (psi)		Test Pressures (psi)	
	Temperatures up to 86°F	Temperatures up to 248°F	Shell	Seat
1/2" to 2"	464.1	203.1	696.1	510.5

Temperature range -10°C - +198°C (non shock)

MATERIAL SPECIFICATION

Component	Material
Body	Bronze
Cap	Brass
Disk	Brass

PRESSURE & TEMPERATURE RATINGS



1062 Forged brass swing check valve

Metal disk, female ends, PN25

Pegler

SIZES

Taper			
Range	1/2"	3/4"	1"
ISO7-1Rc (Taper)	124007	124008	124009

DIMENSIONS (mm)

Range	1/2"	3/4"	1"
A	58	72	83
B	34	40	51
Weight kg	0.27	0.48	0.72

FLOW RATES* m3/h

Size	Flow l/s	Kv m3/h
1/2"	0.04	1.80
	0.10	3.70
	0.20	5.10
3/4"	0.40	5.70
	0.10	5.50
	0.40	13.60
1"	1.00	15.30
	0.01	7.70
	0.20	13.90
	0.30	18.40
	1.00	25.30

*Kv - flow rate in m3 per hour at a pressure drop of 1 bar.

MINIMUM OPERATING CONDITIONS
 Sizes 1/2 to 1" require 0.5 bar (7.25 psi) minimum line pressure with a differential pressure of 1 to 1.5 psi to allow the valve

VALVE SUITABILITY

Steam	Water	Oil	Air	Gas Inert	Gas Combustible	Gas Corrosive	Gas Oxygen
✓	✓	✓	✗	✗	✗	✗	✗

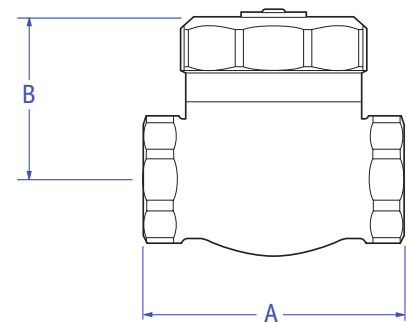
PRESSURE EQUIPMENT DIRECTIVE CATEGORY

Sizes		
1/2"	3/4"	1"
SEP	SEP	SEP

MAXIMUM PRESSURE CONDITIONS

Size	Maximum Pressure Conditions (bar)		Test Pressures (bar)	
	Temperatures up to 100°C	Temperatures up to 186°C	Shell	Seat
1/2" to 1"	25.0	10.5	37.5	27.5
Size	Maximum Pressure Conditions (psi)		Test Pressures (psi)	
	Temperatures up to 212°F	Temperatures up to 302°F	Shell	Seat
1/2" to 1"	362.6	152.3	543.9	398.9

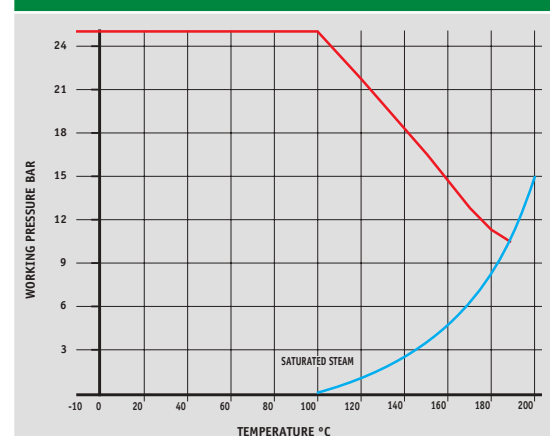
Temperature range - 10°C + 186°C (non shock)



MATERIAL SPECIFICATION

Component	Material
Body	Forged brass (1/2" to 3/4") Gravity Die Cast Brass (1")
Cap	Forged Brass
Swinger	Brass Bar
Swinger Pin	Brass Bar
Bush	Brass Bar
Valve	Brass Bar
Nut	Brass Bar
Rating Disc	Aluminium

PRESSURE & TEMPERATURE RATINGS



1063 Forged brass spring action check valves



Female ends

SIZES

Parallel thread

Range	1/2"	3/4"	1"	1 1/4"	1 1/2"	2"	2 1/2"	3"	4"
ISO7-1Rp (PT)	124121	124122	124123	124124	124125	124126	124127	124128	124129

DIMENSIONS (mm)

Range	1/2"	3/4"	1"	1 1/4"	1 1/2"	2"	2 1/2"	3"	4"
A	49.5	57.5	61.5	66	76	87	100	110	114
B	34	41.5	47	58.5	69	84.5	103	112	145
Weight kg	0.124	0.232	0.251	0.389	0.581	0.852	1.380	1.966	2.830



VALVE SUITABILITY

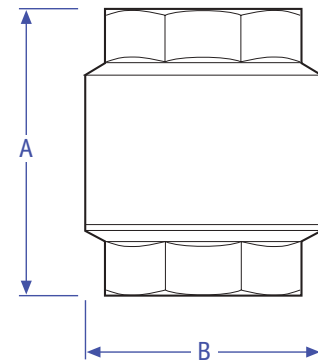
Steam	Water	Oil	Air	Gas Inert	Gas Combustible	Gas Corrosive	Gas Oxygen
✗	✓	✗	✓	✗	✗	✗	✗

Air maximum - 5 bar

PRESSURE EQUIPMENT DIRECTIVE CATEGORY

Sizes

1/2"	3/4"	1"	1 1/4"	1 1/2"	2"	2 1/2"	3"	4"
SEP	SEP	SEP	SEP	SEP	SEP	SEP	SEP	SEP



MAXIMUM PRESSURE CONDITIONS

Size	Maximum Pressure Conditions (bar)	
	bar	psi
1/2" to 3/4"	12	174
1" to 2"	10	145
2 1/2" to 4"	8	116

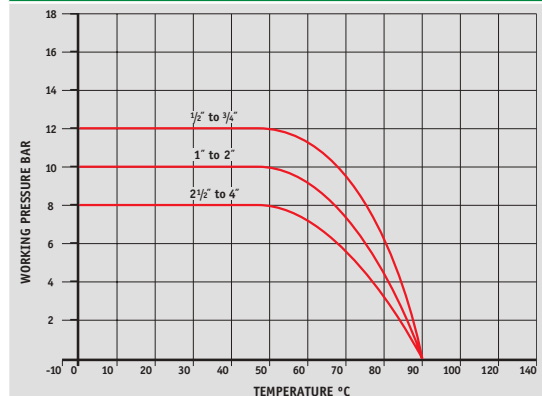
These are maximum permissible working pressures

Size	Maximum Pressure Conditions (psi)	
	Temperature °C	Temperature °F
1/2" to 4"	90	194

MATERIAL SPECIFICATION

Component	Material
Pin	ABS
Pin Washer	ABS
Body	Brass
Sealing Washer	EPDM Rubber
Spring	Stainless Steel 18/8
Filter	Stainless Steel 18/8
Filter/Body Connection	ABS

PRESSURE & TEMPERATURE RATINGS



1064 Forged brass foot valves

Female end with filter



SIZES

Parallel Thread									
Range	1/2"	3/4"	1"	1 1/4"	1 1/2"	2"	2 1/2"	3"	4"
Code - PT	124271	124272	124273	124274	124275	124276	124277	124278	124279

DIMENSIONS (mm)

Range	1/2"	3/4"	1"	1 1/4"	1 1/2"	2"	2 1/2"	3"	4"
A	83	96	107	120	136	159	181	201	217
B Lever	34	41.5	47	58.5	69	84.5	103	112	145
Weight kg	0.133	0.197	0.271	0.414	0.616	0.905	1.458	2.066	3.018



VALVE SUITABILITY

Steam	Water	Oil	Air	Gas Inert	Gas Combustible	Gas Corrosive	Gas Oxygen
X	✓	X	✓	X	X	X	X

Air maximum - 5 bar

PRESSURE EQUIPMENT DIRECTIVE CATEGORY

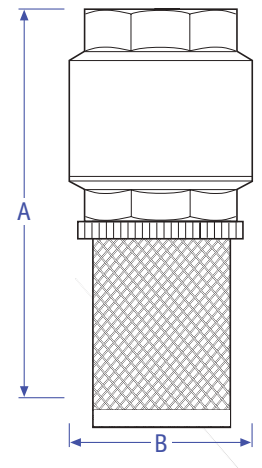
Sizes								
1/2"	3/4"	1"	1 1/4"	1 1/2"	2"	2 1/2"	3"	4"
SEP	SEP	SEP	SEP	SEP	SEP	SEP	SEP	SEP

MAXIMUM PRESSURE CONDITIONS

Size	Maximum Pressure Conditions (bar)	
	bar	psi
1/2" to 3/4"	12	174
1" to 2"	10	145
2 1/2" to 4"	8	116

These are maximum permissible working pressures

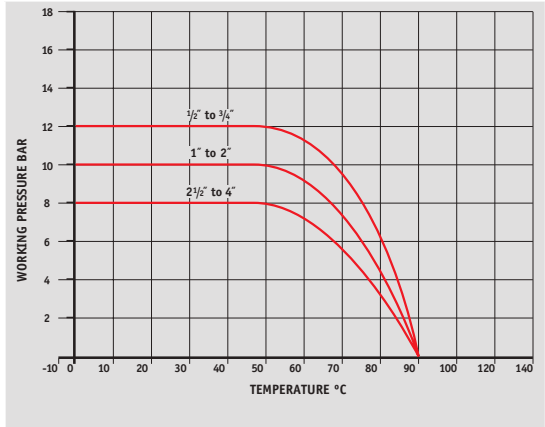
Size	Maximum Pressure Conditions (psi)	
	Temperature °C	Temperature °F
1/2" to 4"	90	194



MATERIAL SPECIFICATION

Component	Material
Pin	ABS
Pin Washer	ABS
Body	Brass
Sealing Washer	EPDM Rubber
Spring	Stainless Steel 18/8
Filter	Stainless Steel 18/8
Filter/Body Connection	ABS

PRESSURE & TEMPERATURE RATINGS



K4424 DZR Double check valve

to EN13959:2004, type E D, compression ends

Pegler



SIZES (mm)			
Compression connections EN 1254-2			
Range	15	22	28
Code DZR	42068	42069	42070
Code DZR CP	42090		

DIMENSIONS (mm)			
Range	15	22	28
A	70	97	109
B	25	32	39
Weight kg	0.18	0.23	0.49

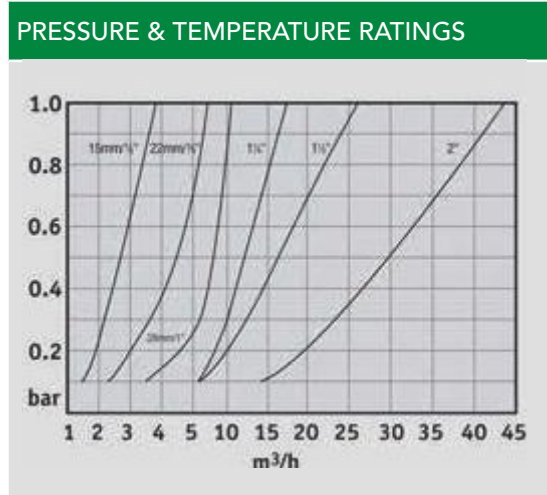
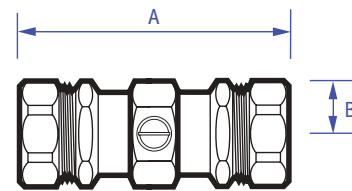
VALVE SUITABILITY							
Steam	Water	Oil	Air	Gas Inert	Gas Combustible	Gas Corrosive	Gas Oxygen
x	✓	x	x	x	x	x	x

MATERIAL SPECIFICATION	
Component	
Body	DZR Brass
Test Screw	DZR Brass
Non Return Valves	Nylon
Compression Nut	Brass
Compression Olive	Brass

PRESSURE EQUIPMENT DIRECTIVE CATEGORY		
Sizes		
15	22	28
SEP	SEP	SEP

MAXIMUM PRESSURE CONDITIONS		
Size	Maximum Pressure Conditions (bar)	
	(Cold working) Temperatures up to -10°C	(Hot working) Temperatures up to 65°C
15-28	10	10
Size	Maximum Pressure Conditions (psi)	
	Temperatures up to -10°C	Temperatures up to 65°C
15-28	145	145

Temperature range - 10°C + 150°C (non shock)



K4426 DZR Double check valve

to EN13959:2004, type E D, female ends

Pegler

SIZES

Parallel Thread

Range	1/2"	3/4"	1"	1 1/4"	1 1/2"	2"
ISO 228/1 (PT)	42071	42072	42073	42074	42075	42076

DIMENSIONS (mm)

Range	1/2"	3/4"	1"	1 1/4"	1 1/2"	2"
A	70.5	82	106	122	135	199
B	25	31	38	46	52	66
Weight kg	0.15	0.24	0.42	0.61	0.85	1.66

VALVE SUITABILITY

Steam	Water	Oil	Air	Gas Inert	Gas Combustible	Gas Corrosive	Gas Oxygen
x	✓	x	x	x	x	x	x

MATERIAL SPECIFICATION

Component	
Body	DZR Brass
Test Screw	DZR Brass
Non Return Valves	Nylon

PRESSURE EQUIPMENT DIRECTIVE CATEGORY

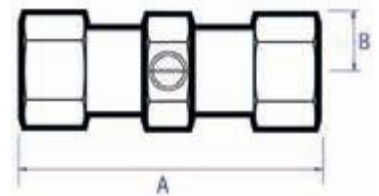
Sizes

1/2"	3/4"	1"	1 1/4"	1 1/2"	2"
SEP	SEP	SEP	SEP	SEP	SEP

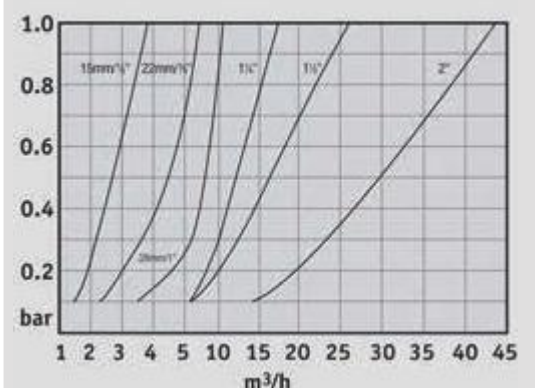
MAXIMUM PRESSURE CONDITIONS

Size	Maximum Pressure Conditions (bar)	
	(Cold working) Temperatures up to -10°C	(Hot working) Temperatures up to 65°C
1/2" to 2"	10	10
Size	Maximum Pressure Conditions (psi)	
	Temperatures up to -10°C	Temperatures up to 65°C
1/2" to 2"	145	145

WRAS
APPROVED
PRODUCT



PRESSURE & TEMPERATURE RATINGS



V909 Cast iron wafer check valve PN16

Wafer dual plate check valve, 16bar from -10°C to 120°C

BS EN 12334:2001 and face to face dimensions comply to BS EN 558-1

SIZES

Range	DN65	DN80	DN100	DN125	DN150	DN200	DN250	DN300
Order code	15398	15399	15400	15401	15402	15403	15404	15405

DIMENSIONS (mm)

	54	57	64	70	76	95	108	143
A								
B	78	90	115	141	170	210	273	324
C	126	141	161	191	217	272	327	382
Weight kg	2.39	3.20	4.80	7.60	10.00	14.00	23.56	36.00

FLOW RATES

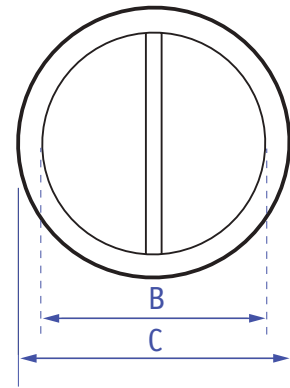
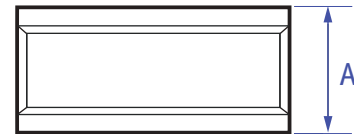
Size	Flow l/s	Kv m ³ /h
DN65	1.50	57.00
	2.50	81.00
	6.00	126.00
	10.00	139.00
DN80	1.50	55.00
	2.50	85.00
	6.00	140.00
	10.00	167.00
DN100	2.50	101.00
	8.00	200.00
	15.00	243.00
	25.00	259.00
DN125	4.00	135.00
	6.00	190.00
	15.00	336.00
	30.00	413.00
DN150	6.00	216.00
	10.00	338.00
	20.00	556.00
	40.00	747.00
DN200	10.00	423.00
	20.00	797.00
	40.00	1340.00
	80.00	1770.00
DN250	160.00	2600.00
DN300	220.00	4300.00

VALVE SUITABILITY

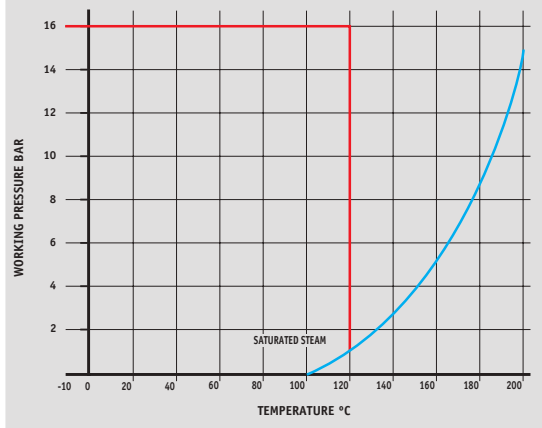
Steam	Water	Oil	Air	Gas Inert	Gas Combustible	Gas Corrosive	Gas Oxygen
x	✓	x	x	x	x	x	x

MATERIAL SPECIFICATION

Component	Material
Body	Cast iron
Hinge pin	Stainless steel
Disc	Stainless steel
Seat	NBR
Stop pin	Stainless steel
Pin retainers	Stainless steel
Plate	Stainless steel
Spring	Stainless steel
Washer	PTFE
Gasket	EPDM



PRESSURE & TEMPERATURE RATINGS



PRESSURE & TEMPERATURE RATINGS

Size DN65 to DN300	Maximum Working Pressure (bar)		Test Pressures (bar)	
	Temp 120° C	Temp 120° C	Shell	Seat
	16bar	16bar	24	17.6

Size DN65 to DN300	Maximum Working Pressure (psi)		Test Pressures (psi)	
	Temp 248° F	Temp 248° F	Shell	Seat
	232.1psi	232.1psi	348.1	253.8

Temperature range - 10°C - +120°C.

V914 Cast iron swing check valve

BS EN 12334:2001 PN16

SIZES

Flanged to EN 1092-2 PN16

Range	DN65	DN80	DN100	DN125	DN150	DN200	DN250	DN300
Code	15378	15379	15380	15381	15382	15383	15384	15385

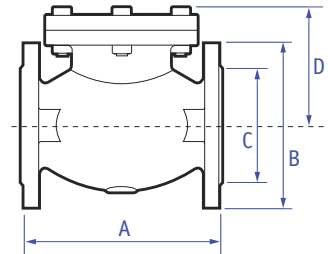


DIMENSIONS (mm)

Range	DN65	DN80	DN100	DN125	DN150	DN200	DN250	DN300
A	215.9	241.3	292.1	330.2	355.6	495.3	662.3	698.5
B	185	200	220	250	285	340	405	460
C	122	138	158	188	212	268	320	378
D	132.5	141.5	163	197	212	257	298.5	330.5
Weight kg	17.30	141.5	37.50	40.95	51.72	120.00	218.00	281.00

FLOW RATES* m3/h

Size	Flow l/s	Kv m3/h	Size	Flow l/s	Kv m3/h
65mm	1.50	63.00	125mm	5.00	173.00
	5.00	150.00		10.00	361.00
	8.00	161.00		20.00	602.00
80mm	2.00	75.00	150mm	30.00	689.00
	6.00	202.00		7.00	298.00
	12.00	328.00		20.00	735.00
100mm	20.00	428.00	200mm	40.00	1231.00
	4.00	168.00		15.00	520.00
	10.00	353.00		40.00	1210.00
	15.00	447.00		90.00	1835.00
	20.00	516.00		250mm	Fully Open
			300mm	Fully Open	3850.00



VALVE SUITABILITY

Steam	Water	Oil	Air	Gas Inert	Gas Combustible	Gas Corrosive	Gas Oxygen
✗	✓	✗	✗	✗	✗	✗	✗

MATERIAL SPECIFICATION

Component	
Body	Cast iron
Body seating	Gunmetal
Disc	Cast iron
Disc assembly	Cast iron
Disc facing ring	Gunmetal
Disc nut	Brass
Cover	Cast iron
Cover gasket	Graphite non asbestos
Hinge pin	Stainless steel
Hinge pin plug	Brass
Hinge	Ductile iron
Stop pin	Stainless steel
Seat	EPDM
Seat ring	Gunmetal
Gasket	Asbestos free
Springs	Stainless steel

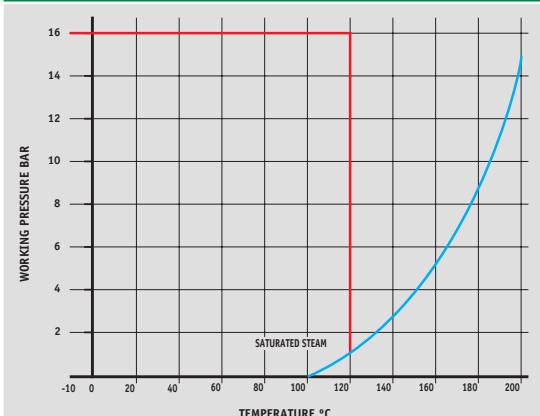
MAX. PRESSURE TEMPERATURE RATINGS

Size	Max. Working Pressure (bar)		Test Pressure (bar)	
	Temperature up to 120°C	Temperature up to 230°C	Shell	Seat
DN65 to DN300	16.0	11.8	24	17.6

Size	Max. Working Pressure (psi)		Test Pressure (psi)	
	Temperature up to 248°F	Temperature up to 246°F	Shell	Seat
DN65 to DN300	232.1	171.1	348.1	253.8

Temperature range -10°C - +120°C (Non shock)

PRESSURE & TEMPERATURE RATINGS



1059PT Brass Y pattern strainer

Femael ends, 1/2" - 2" PN20, 2 1/2" - 4" PN16

Pegler

SIZES

Parallel Thread									
Range	1/2"	3/4"	1"	1 1/4"	1 1/2"	2"	2 1/2"	3"	4"
IS07-1 Rp (PT)	120011	120012	120013	120014	120015	120016	120017	120018	120019

DIMENSIONS (mm)

Range	DN15	DN20	DN25	DN32	DN40	DN50	DN65	DN80	DN100
A	58	70	87	96	106	126	150	169	219
B	40	48	56	64	73	89	107	120	161
Weight kg	0.14	0.20	0.38	0.56	0.80	1.10	1.95	3.05	5.65

VALVE SUITABILITY

Steam	Water	Oil	Air	Gas Inert	Gas Combustible	Gas Corrosive	Gas Oxygen
✗	✓	✗	✗	✗	✗	✗	✗

PRESSURE EQUIPMENT DIRECTIVE CATEGORY

Sizes									
1/2"	3/4"	1"	1 1/4"	1 1/2"	2"	2 1/2"	3"	4"	
SEP	SEP	SEP	SEP	SEP	SEP	SEP	SEP	SEP	

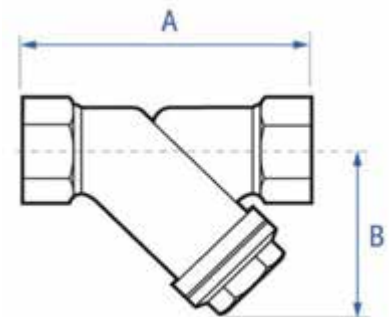
MATERIAL SPECIFICATION

Component	1059PT - 1/2" to 2"
Body	Brass - CW617N, EN12165
Head	Brass - CW617N, EN12165
Mesh	Stainless Steel
Gasket	PTFE
Component	1059PT - 2 1/2" to 4"
Body	Brass
Head	Brass
Mesh	Stainless Steel
Gasket	PTFE

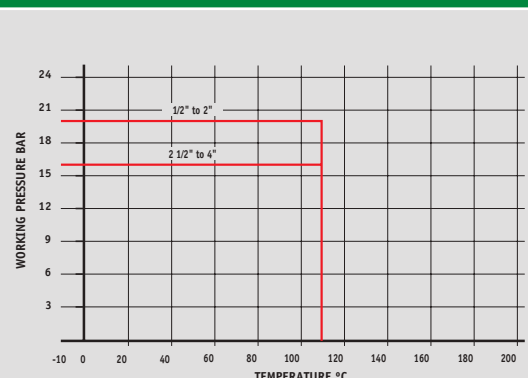
MAXIMUM PRESSURE TEMPERATURE RATINGS

Size	Maximum Working Pressure (bar)	Test Pressure (bar)	
		Shell	Seat
DN15 to DN50	Temperature up to 110°C	30	22.0
	20		
DN65 to DN100	16	24	17.5
Size	Maximum Working Pressure (psi)	Test Pressure (psi)	
		Shell	Seat
DN15 to DN50	Temperature up to 230°F	435.1	319.1
	290.1		
DN15 to DN50	232.1	348.0	253.8

Temperature range -10°C - +110°C (110°C) (Non Shock)



PRESSURE & TEMPERATURE RATINGS



V913 Bronze threaded strainer, Y pattern.

Female ends, PN16

Pegler

SIZES

Taper Thread						
Range	1/2"	3/4"	1"	1 1/4"	1 1/2"	2"
ISO7-Rc (Taper)	15348	15349	15350	15351	15352	15353

DIMENSIONS (mm)

Range						
A	63	67	80	114	123	137
B	40	48	60	70	82	73
Weight kg	0.23	0.32	0.45	0.74	0.92	1.06

VALVE SUITABILITY

Steam	Water	Oil	Air	Gas Inert	Gas Combustible	Gas Corrosive	Gas Oxygen
✗	✓	✗	✗	✗	✗	✗	✗

PRESSURE EQUIPMENT DIRECTIVE CATEGORY

Sizes					
1/2"	3/4"	1"	1 1/4"	1 1/2"	2"
SEP	SEP	SEP	SEP	SEP	SEP

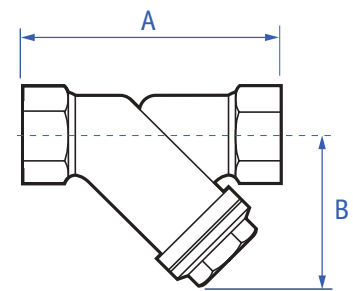
MATERIAL SPECIFICATION

Component	
Body	Gunmetal
Cap	Gunmetal
Screen	Stainless Steel
Gasket	Asbestos free (non stick)

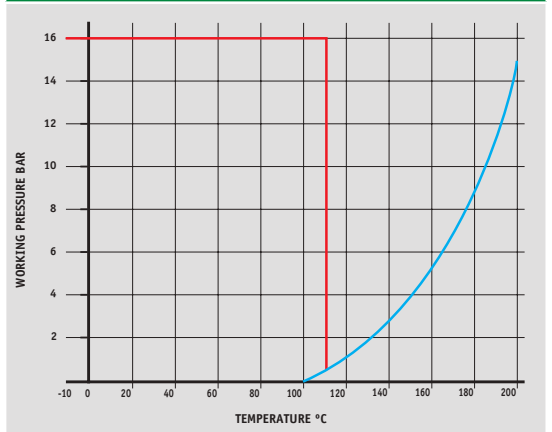
MAXIMUM PRESSURE TEMPERATURE RATINGS

Size	Maximum Working Pressure (bar)	Test Pressure (bar)	
		Shell	Seat
DN15 to DN50	Temperature up to 110°C		
	16.0	24.0	17.6
Size	Maximum Working Pressure (psi)	Test Pressure (psi)	
		Shell	Seat
DN15 to DN50	Temperature up to 230°F		
	232	348.0	255.3

Temperature range -10°C - +186°C (non shock)



PRESSURE & TEMPERATURE RATINGS



V912 Cast iron Y type strainer

Flanged to EN 1092-2, PN16

Pegler

SIZES

Flanged to EN 1092-2 PN16

Range	DN65	DN80	DN100	DN125	DN150	DN200	DN250	DN300
Code	15361	15362	15363	15364	15365	15366	15367	15368

DIMENSIONS (mm)

A	273	295	352	416	470	543	665	770
B	174	198	232	285	305	401	473	740
Weight kg	14.50	17.50	31.25	43.00	62.50	107.00	196.67	253.00

FLOW RATES m³/h

Range	DN65	DN80	DN100	DN125	DN150	DN200	DN250	DN300
Kv m ³ /h	93.00	136.00	229.00	363.00	499.00	817.00	1361.00	1928.00

VALVE SUITABILITY

Steam	Water	Oil	Air	Gas Inert	Gas Combustible	Gas Corrosive	Gas Oxygen
✗	✓	✗	✗	✗	✗	✗	✗

PRESSURE EQUIPMENT DIRECTIVE CATEGORY

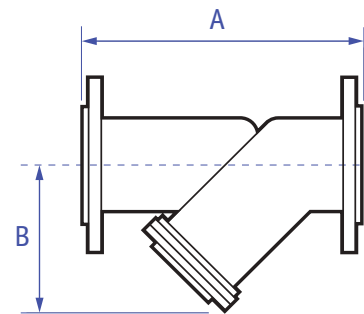
Sizes

DN65	DN80	DN100	DN125	DN150	DN200	DN250	DN300
SEP	SEP	SEP	SEP	SEP	SEP	SEP	SEP

MAXIMUM PRESSURE TEMPERATURE RATINGS

Size	Maximum Working Pressure (bar)		Test Pressure (bar)	
	Temperature up to 120°C	Temperature up to 220°C	Shell	Seat
DN65 to DN300	16	13	24	17.6
Size	Maximum Working Pressure (psi)		Test Pressure (psi)	
	Temperature up to 248°F	Temperature up to 248°F	Shell	Seat
DN65 to DN300	232.1	188.5	348.1	253.8

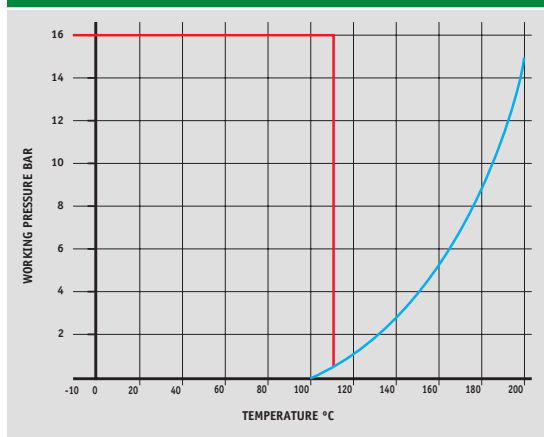
Temperature range -10°C - +120°C (non shock)



MATERIAL SPECIFICATION

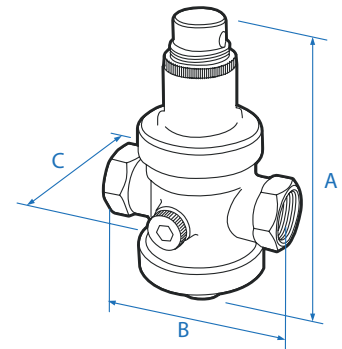
Component	
Body	Cast iron
Cap	Cast iron
Cover	Cast iron
Strainer	Stainless steel
Seal	Fibre TesnitBA-U
Screen	Stainless steel
Gasket	Teflon/graphite
Plug	Brass

PRESSURE & TEMPERATURE RATINGS



PRV4PT Brass Pressure reducing valve

Maximum inlet pressure 25 bar, adjustable outlet 0.5 bar to 6 bar



Pressure Gauge, 0 - 10bar

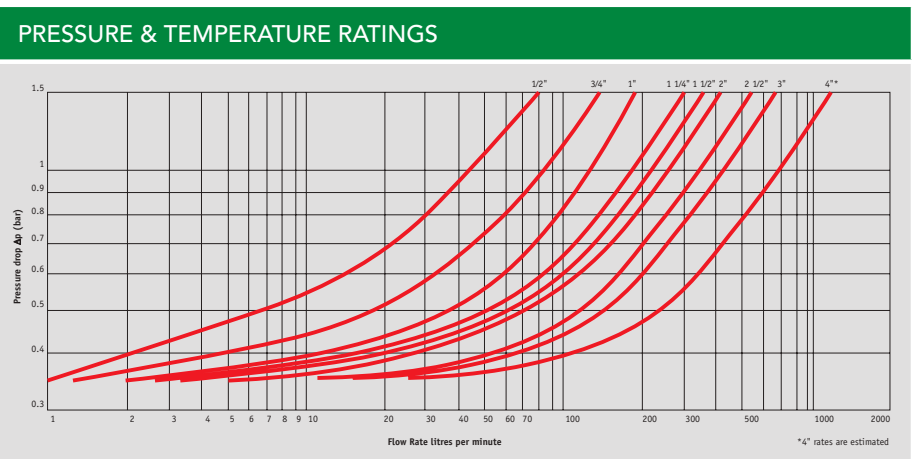
SIZES									
Parallel Thread									
Range	1/2"	3/4"	1"	1 1/4"	1 1/2"	2"	2 1/2"	3"	4"
IS07-1Rp (PT)	5A2031	5A2032	5A2033	5A2034	5A2035	5A2036	5A2037	5A2038	5A2039

DIMENSIONS (mm)									
Range	1/2"	3/4"	1"	1 1/4"	1 1/2"	2"	2 1/2"	3"	4"
A	118	141	152	217	218	244	264	287	325
B	77	91	91	116	125	142	147	148	188
C	66	73	75	94	95	114	114	114	125
Weight kg	0.71	1.12	1.33	2.29	2.42	3.62	4.00	5.53	6.80

VALVE SUITABILITY							
Steam	Water	Oil	Air	Gas Inert	Gas Combustible	Gas Corrosive	Gas Oxygen
x	✓	x	✓	x	x	x	x

MATERIAL SPECIFICATION	
Component	
Body	Brass - CW617N, EN12165
Internal parts	Brass - CW617N, EN12164
Seat	Stainless steel
Bar	Brass - CW617N, EN12164
'O' ring	NBR 70 SH
Plastic parts	Ultramid® A3K (BASF)
Flat gaskets	Fasit

Temperature range - 0°C - +80°C (non shock)



SIZES	
Range	
Code	5A2003

OPERATING PRESSURE (bar)	
Size	Working Pressure (bar)
	Temperature up to 120°C
PG Pressure Gauge	0 - 10

1260 DZR Threaded fixed orifice commissioning valve (FODRV)

Female ends, PN20, Regulation, isolation & flow measurement functions.

Pegler

SIZES

Parallel Thread							
Range	1/2" low flow	1/2" standard flow	3/4" standard flow	1" standard flow	1 1/4" standard flow	1 1/2" standard flow	2" standard flow
ISO7-1Rp (PT)	126022	126023	126024	126025	126026	126027	126028

DIMENSIONS (mm)

Range	1/2"	1/2"	3/4"	1"	1 1/4"	1 1/2"	2"
A	79	79	86	103	121	127	157
B	106	106	106	113	120	123	138
Weight kg	0.54	0.53	0.59	0.90	1.29	1.68	2.97

FLOW RATES m³/h

Range	1/2"	1/2"	3/4"	1"	1 1/4"	1 1/2"	2"
Kv	0.40	1.86	2.27	6.11	12.65	19.00	28.42
Kvs	0.41	2.15	4.78	8.11	15.41	22.23	48.21

VALVE SUITABILITY

Steam	Water	Oil	Air	Gas Inert	Gas Combustible	Gas Corrosive	Gas Oxygen
✗	✓	✗	✗	✗	✗	✗	✗

MATERIAL SPECIFICATION

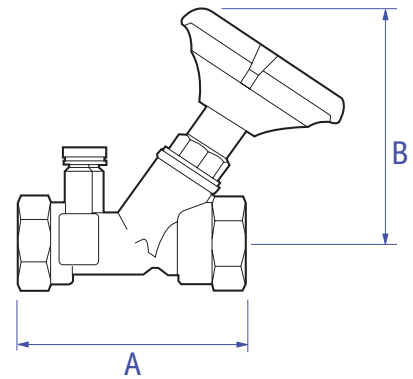
Component	
Body	GDCBr. BS EN 1982, CC 752S
Bonnet	EBB. BS EN 12164, CW 617N
Spindle	EBB. BS EN 12164, CW 617N
Disc	EBB. BS EN 12164, CW 617N
Gland	Packing Piece EBB. BS EN 12164, CW 617N
'O' rings	EPTO
Orifice plate	EBB. BS EN 12164, CW 617N
Circlip	Carbon spring steel
Adjustment screw	EBB. BS EN 12164, CW 617N
Test points	DZR brass
Seals	EPTO
Handle	30% Glass filled nylon 66
Set screw	Brass

MAXIMUM PRESSURE CONDITIONS

Size	Maximum Pressure Conditions (bar)		Test Pressures (bar)	
	Temperatures up to 100°C	Temperatures up to 120°C	Shell	Seat
1/2" to 2"	20	16	30	22
Size	Maximum Pressure Conditions (psi)		Test Pressures (psi)	
	Temperatures up to 212°F	Temperatures up to 275°F	Shell	Seat
1/2" to 2"	290.1	232.1	435.1	319.1

Temperature range -10°C - +120°C (non shock)

WRAS
APPROVED
PRODUCT



PRESSURE EQUIPMENT DIRECTIVE CATEGORY

Sizes					
1/2"	3/4"	1"	1 1/4"	1 1/2"	2"
SEP	SEP	SEP	SEP	SEP	SEP

1200 DZR Threaded double regulating valve (DRV)

with regulation and isolation functions, female ends, PN20

Pegler

WRAS
APPROVED
PRODUCT

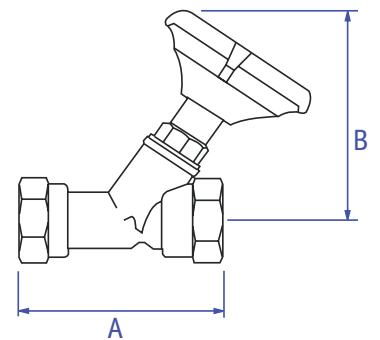


SIZES						
Parallel Thread						
Range	1/2" standard flow	3/4" standard flow	1" standard flow	1 1/4" standard flow	1 1/2" standard flow	2" standard flow
IS07-1Rp (PT)	126002	126003	126004	126005	126006	126007

DIMENSIONS (mm)						
Range	1/2"	3/4"	1"	1 1/4"	1 1/2"	2"
A	79	86	103	121	127	157
B	106	106	113	120	123	138
Weight kg	0.23	0.55	0.86	1.24	1.62	2.90

FLOW RATES m ³ /h						
Range	1/2"	3/4"	1"	1 1/4"	1 1/2"	2"
Kv	2.30	2.48	7.15	15.08	20.84	28.89

VALVE SUITABILITY							
Steam	Water	Oil	Air	Gas Inert	Gas Combustible	Gas Corrosive	Gas Oxygen
x	✓	x	x	x	x	x	x



MATERIAL SPECIFICATION	
Component	
Body	GDCBr. BS EN 1982, CC 752S
Bonnet	EBB. BS EN 12164, CW 617N
Spindle	EBB. BS EN 12164, CW 617N
Disc	EBB. BS EN 12164, CW 617N
Gland	Packing Piece EBB. BS EN 12164, CW 617Nv
'O' rings	EPTO
Circlip	Carbon spring steel
Adjustment screw	EBB. BS EN 12164, CW 617N
Seals	EPTO
Handle	30% Glass filled nylon 66
Set screw	Brass

PRESSURE EQUIPMENT DIRECTIVE CATEGORY					
Sizes					
1/2"	3/4"	1"	1 1/4"	1 1/2"	2"
SEP	SEP	SEP	SEP	SEP	SEP

MAXIMUM PRESSURE CONDITIONS				
Size	Maximum Pressure Conditions (bar)		Test Pressures (bar)	
	Temperature- up to 100°C	Temperatures up to 120°C	Shell	Seat
1/2" to 2"	20	16	30	22
Size	Maximum Pressure Conditions (psi)		Test Pressures (psi)	
	Temperatures up to 212°F	Temperatures up to 275°F	Shell	Seat
1/2" to 2"	290.1	232.1	435.1	319.1

Temperature range -10°C - +120°C (non shock)

1250 DZR Fixed orifice commissioning station

with flow measurement function, female ends, PN20

Pegler

SIZES

Parallel Thread

Range	1/2" low flow	1/2" standard flow	3/4" standard flow	1" standard flow	1 1/4" standard flow	1 1/2" standard flow	2" standard flow
ISO7-1Rp (PT)	126090	126091	126092	126093	126094	126095	126096

DIMENSIONS (mm)

Range	1/2"	1/2"	3/4"	1"	1 1/4"	1 1/2"	2"
A	48	48	51	63	67	71	75
B	40	40	42	46	52	52	57
Weight kg	0.22	0.22	0.25	0.39	0.54	0.59	0.92

FLOW RATES m³/h

Range	1/2"	1/2"	3/4"	1"	1 1/4"	1 1/2"	2"
Kvs	0.41	2.15	4.78	8.11	15.41	22.23	48.21

VALVE SUITABILITY

Steam	Water	Oil	Air	Gas Inert	Gas Combustible	Gas Corrosive	Gas Oxygen
✗	✓	✗	✗	✗	✗	✗	✗

PRESSURE EQUIPMENT DIRECTIVE CATEGORY

Sizes

1/2"	1/2"	3/4"	1"	1 1/4"	1 1/2"	2"
SEP	SEP	SEP	SEP	SEP	SEP	SEP

MATERIAL SPECIFICATION

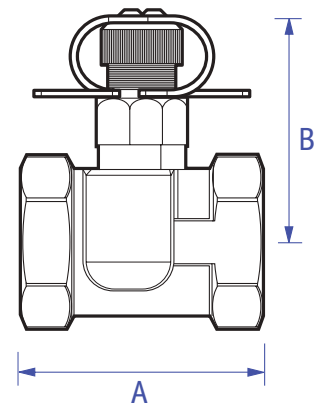
Component	
Body	GDCBr. BS EN 1982, CC 752S
Test point	DZR brass
Seals	EPDM
Orifice plate	EBB. BS EN 12164, CW 617N

MAXIMUM PRESSURE CONDITIONS

Size	Maximum Pressure Conditions (bar)		Test Pressures (bar)	
	Temperatures up to 100°C	Temperatures up to 120°C	Shell	Seat
1/2" to 2"	20	16	30	22
Size	Maximum Pressure Conditions (psi)		Test Pressures (psi)	
	Temperatures up to 212°F	Temperatures up to 275°F	Shell	Seat
1/2" to 2"	290.1	232.1	435.1	319.1

Temperature range -10°C - +120°C (non shock)

WRAS
APPROVED
PRODUCT



V952 Cast iron double regulating valve PN16

With regulating and isolating functions, flanged to EN1092-2, PN16
(includes 2 710 TP Test Points)

Pegler

SIZES

Flanged to EN 1092-2 PN16

Range	DN50	DN65	DN80	DN100	DN125	DN150	DN200
Code	15530	15531	15532	15533	15534	15535	15536

DIMENSIONS (mm)

Range	DN50	DN65	DN80	DN100	DN125	DN150	DN200
A	230	290	310	350	400	480	600
B	260	293	305	323	353	388	453
Weight kg	12.00	18.00	23.00	33.50	49.00	62.00	96.00

FLOW RATES Kv values m³/h

Range	DN50	DN65	DN80	DN100	DN125	DN150	DN200
1	7.10	12.10	20.60	25.70	42.80	45.50	64.60
2	16.80	19.70	28.70	55.00	60.00	77.90	134.00
3	24.70	28.00	39.60	78.90	77.60	94.30	171.80
4	30.20	39.40	53.50	112.30	99.80	110.90	219.80
5	34.10	51.70	71.50	145.20	129.50	133.50	286.00
6	37.40	64.70	86.60	170.90	155.50	163.80	329.30
7	40.90	74.00	97.40	192.50	172.00	201.40	389.80
8	42.10	80.90	108.40	210.30	196.20	233.90	441.30
9	-	-	-	-	213.20	261.90	483.90
10	-	-	-	-	233.60	293.00	542.10
11	-	-	-	-	256.20	326.50	595.60
12	-	-	-	-	278.00	361.30	650.60
13	-	-	-	-	298.20	414.30	711.30
14	-	-	-	-	310.40	414.30	753.80

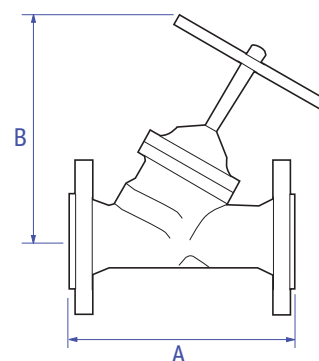
VALVE SUITABILITY

Steam	Water	Oil	Air	Gas Inert	Gas Combustible	Gas Corrosive	Gas Oxygen
✗	✓	✗	✗	✗	✗	✗	✗

MAX. PRESSURE TEMPERATURE RATINGS

Size	Max. Working Pressure (bar)		Test Pressure (bar)	
DN50 to DN200	Temperature up to 150°C	Temperature up to 105°C	Shell	Seat
	16.0	16.0	24	17.6
Size	Max. Working Pressure (psi)		Test Pressure (psi)	
DN50 to DN200	Temperature up to 212°F	Temperature up to 212°F	Shell	Seat
	232.1	232.1	348	255.3

Temperature range -10°C - +120°C (non shock)



NB. With test points can be used as a VODRV, variable orifice double regulating valve.

MATERIAL SPECIFICATION

Component	
Body	Ductile iron
Bonnet	Ductile iron
Disc	Ductile iron, EPDM Coated
Disc nail	Brass
'O' ring	EPDM
Stem	Stainless steel
Gasket	Graphite
Handwheel	Carbon steel (50-100)
Handwheel	Ductile iron (125-200)
Test point	DZR Brass

V953 Stainless steel metering station PN16

304 Stainless steel, complete with test points and extensions with flow measurement function

Pegler

SIZES

For fitting between BS End 1092-2 Flanges

Range	DN50	DN65	DN80	DN100	DN125	DN150	DN200	DN250	DN300
Code	15540	15541	15542	15543	15544	15545	15546	15547	15548

DIMENSIONS (mm)

Range	DN50	DN65	DN80	DN100	DN125	DN150	DN200	DN250	DN300
A	109	129	144	164	194	220	275	358	386
B	148	158	166	176	191	204	232	273	287
C	20	20	20	20	20	20	20	20	20
Weight kg	1.40	1.90	2.20	2.40	3.10	3.40	4.7	6.08	7.60

FLOW RATES m³/h

Range	DN50	DN65	DN80	DN100	DN125	DN150	DN200	DN250	DN300
KV	47.50	100.70	133.80	237.70	339.00	511.00	858.00	1235.00	1793.00

VALVE SUITABILITY

Steam	Water	Oil	Air	Gas Inert	Gas Combustible	Gas Corrosive	Gas Oxygen
✗	✓	✗	✗	✗	✗	✗	✗

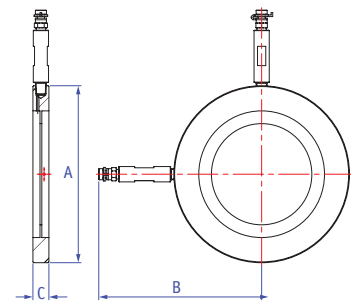
MATERIAL SPECIFICATION

Component	Material
Body	Stainless steel
Test point	DZR brass
Extension	Stainless steel

MAX. PRESSURE TEMPERATURE RATINGS

Size	Maximum Working Pressure (bar)		Test Pressure (bar)	
	Temperature up to 120°C	Temperature up to 120°C	Shell	Seat
DN50 to DN300	16.0	16.0	24	17.6
Size	Maximum Working Pressure (psi)		Test Pressure (psi)	
	Temperature up to 212°F	Temperature up to 212°F	Shell	Seat
DN50 to DN300	232.1	87.02	348.1	253.8

Temperature range -10°C - +120°C (non shock)



NB. May be used in conjunction with V952 as a commissioning set.

1029 Bronze threaded globe valve

with renewable non-metallic seat disk, female ends, PN32



SIZES								
Taper Thread, Parallel Thread and American Taper Thread								
Range	1/4"	3/8"	1/2"	3/4"	1"	1 1/4"	1 1/2"	2"
IS07-1Rc (Taper)	110005	110006	110007	110008	110009	110010	110011	110012
IS07-1Rp (PT)			110047	110048	110049	110050	110051	110052
ANSI-NPT (Taper)			110027	110028	110029	110030	110031	110032

DIMENSIONS (mm)								
Range	1/4"	3/8"	1/2"	3/4"	1"	1 1/4"	1 1/2"	2"
A	48	46	57	65	78	89	100	121
B	76	76	95	100	114	138	159	170
Weight kg	0.20	0.22	0.38	0.54	0.84	1.36	1.76	2.62

FLOW RATES m ³ /h								
Range	1/4"	3/8"	1/2"	3/4"	1"	1 1/4"	1 1/2"	2"
Cv			2.30	5.90	11.70	18.70	26.90	49.10
Kv	0.70	1.10	2.00	5.00	10.00	16.00	23.00	42.00

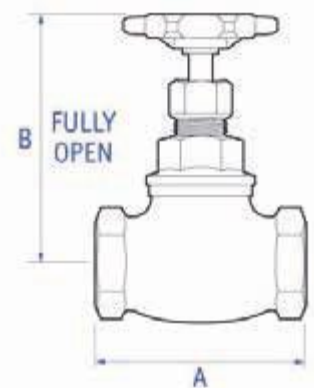
VALVE SUITABILITY							
Steam	Water	Oil	Air	Gas Inert	Gas Combustible	Gas Corrosive	Gas Oxygen
✓	✓	✓	✓	✗	✗	✗	✗

Special test required for air or gases

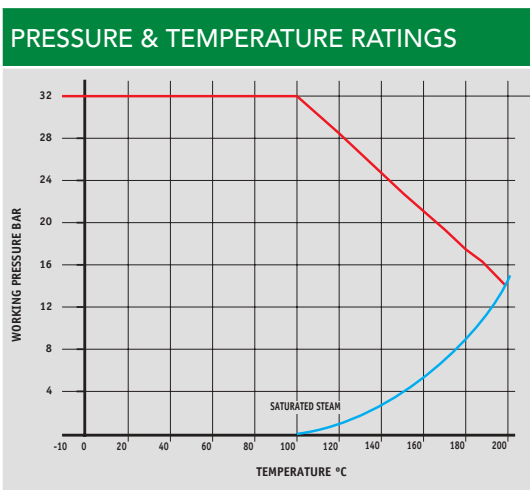
PRESSURE EQUIPMENT DIRECTIVE CATEGORY							
Sizes							
1/4"	3/8"	1/2"	3/4"	1"	1 1/4"	1 1/2"	2"
SEP	SEP	SEP	SEP	SEP	CAT 1	CAT 1	CAT 1

MAXIMUM PRESSURE CONDITIONS				
Size	Maximum Pressure Conditions (bar)		Test Pressures (bar)	
	Temperatures up to 100°C	Temperatures up to 198°C	Shell	Seat
1/2" to 2"	32	14	48	35.2
Size	Maximum Pressure Conditions (psi)		Test Pressures (psi)	
	Temperatures up to 86°F	Temperatures up to 248°F	Shell	Seat
1/2" to 2"	464.1	203.1	696.1	510.5

Temperature range -10°C - +198°C (non shock)



MATERIAL SPECIFICATION	
Component	
Body	Gunmetal
Bonnet	Forged brass
Stem	Brass bar
Disk holder	Brass bar
Disk ring	Brass bar
Disk	Glass filled PTFE
Disk nut	Brass bar
Gland	Brass bar
Gland nut	Brass bar
Packing	PTFE
Handwheel	Aluminium
Handwheel nut	Brass bar
Rating disc	Aluminium



1031 Bronze threaded globe valve

with metal seat disk, female ends, PN32

Pegler

SIZES

Taper Thread

Range	½"	¾"	1"	1¼"	1½"	2"
ISO7-1Rc (Taper)	112007	112008	112009	112010	112011	112012

DIMENSIONS (mm)

Range	½"	¾"	1"	1¼"	1½"	2"
A	57	65	78	89	100	121
B	95	100	114	138	159	170
Weight kg	0.39	0.55	0.87	1.45	1.83	2.61

FLOW RATES m³/h

Range	½"	¾"	1"	1¼"	1½"	2"
Cv	2.30	5.90	11.70	18.70	26.90	49.10
Kv	2.00	5.00	10.00	16.00	23.00	42.00

VALVE SUITABILITY

Steam	Water	Oil	Air	Gas Inert	Gas Combustible	Gas Corrosive	Gas Oxygen
✗	✓	✓	✗	✗	✗	✗	✗

PRESSURE EQUIPMENT DIRECTIVE CATEGORY

Sizes

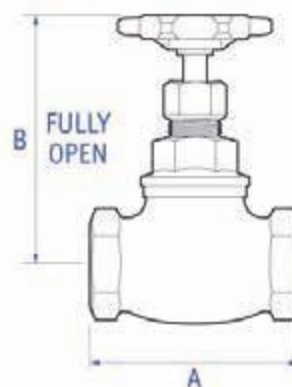
½"	¾"	1"	1¼"	1½"	2"
SEP	SEP	SEP	SEP	SEP	SEP

MAXIMUM PRESSURE CONDITIONS

Size	Maximum Pressure Conditions (bar)		Test Pressures (bar)	
	Temperatures up to 100°C	Temperatures up to 198°C	Shell	Seat
½" to 2"	32	14	48	35.2

Size	Maximum Pressure Conditions (psi)		Test Pressures (psi)	
	Temperatures up to 86°F	Temperatures up to 248°F	Shell	Seat
½" to 2"	464.1	203.1	696.1	510.5

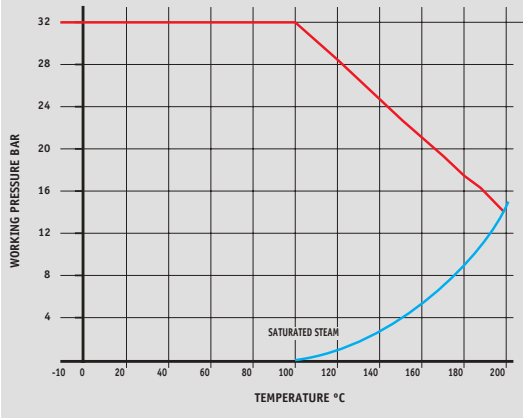
Temperature range -10°C - +198°C (non shock)



MATERIAL SPECIFICATION

Component	
Body	Gunmetal
Bonnet	Forged brass
Stem	Brass bar
Disk ring	Brass bar
Disk	Brass
Gland	Brass bar
Gland nut	Brass bar
Packing	PTFE
Handwheel	Aluminium
Handwheel nut	Brass bar
Rating disc	Aluminium

PRESSURE & TEMPERATURE RATINGS



710 TP DZR Red and blue self seal test points

Male taper connection



SIZES

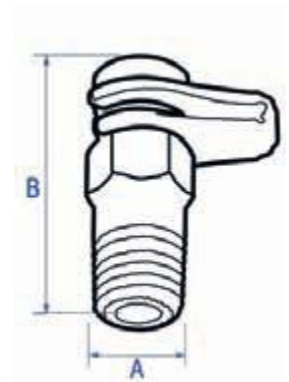
Range	1/4" x 36mm	1/4" x 75mm
Code - Taper	126041	126042

DIMENSIONS (mm)

A	14	14
B	36	75
Weight kg	0.03	0.06

MATERIAL SPECIFICATION

Component	
Body	DZR Brass



775 Brass automatic air vent

10 bar at 120°C

Pegler

SIZES

Range	1/2"
Code	538009

DIMENSIONS (mm)

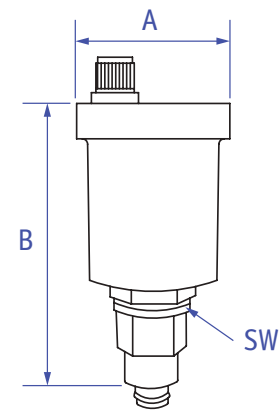
A	47
B	106
SW	26
Weight kg	0.12

VALVE SUITABILITY

Steam	Water	Oil	Air	Gas Inert	Gas Combustible	Gas Corrosive	Gas Oxygen
✗	✓	✗	✗	✗	✗	✗	✗

MATERIAL SPECIFICATION

Component	Material
Body	Brass
Float	Polypropylene
Big cap	Brass
'O' ring 1	NBR
Plastic bonnet	Polyacetalic
End cap	Brass
Rubber seal	NBR
Spring link	Stainless steel, SS302
Plastic disc	Polyacetalic
'O' ring 2	NBR 70 shore
Check valve body	Brass
Spring	Stainless steel, SS302
Plastic bore	Polypropylene
'O' ring 3	NBR 70 shore



MAXIMUM PRESSURE TEMPERATURE RATINGS

Size	Maximum Working Pressure (bar)		Test Pressure (bar)	
	Temperature up to 30°C	Temperature up to 120°C	Shell	Seat
1/2"	16.0	5	24	17.6
Size	Max. Working Pressure (psi)		Test Pressure (psi)	
	Temperature up to 77°F	Temperature up to 200°F	Shell	Seat
1/2"	232.1	72.5	348.1	253.8

Temperature range -10°C - +120°C (non shock)

PB50 HU Chrome plated brass hose union ball type bibtap, Red lever.



SIZES		
Inlets Parallel, ISO 228-1 External Thread		
Range	1/2"	3/4"
Inlets Parallel, ISO 228-1 External Thread	262001	262002
ANSI-ASME B1.20.1 1983 Code - HU AT (14mm Spigot)	262004	-

DIMENSIONS (mm)		
Size	1/2"	3/4"
A	93	93
B	45	45
C	45	50
D	89	94
Weight kg*	0.26	0.32
Weight kg**	0.27	-

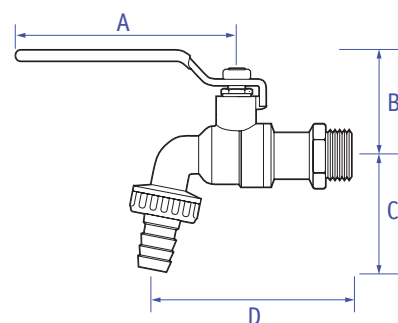
* Code HU ** Code HU AT

VALVE SUITABILITY							
Steam	Water	Oil	Air	Gas Inert	Gas Combustible	Gas Corrosive	Gas Oxygen
✗	✓	✓	✗	✗	✗	✗	✗

MATERIAL SPECIFICATION	
Component	Material
Body	Brass, Chromium plated
Cap	Brass, Chromium plated
Ball	Brass, Chromium plated
Ball seal	PTFE
Spindle	Brass, Chromium plated
Spindle seal	NBR
Hose pipe	Brass, Chromium plated
Hose nut	Brass, Chromium plated
Hose union 'O' ring	NBR
Lever nut	Brass
Lever	A3 steel
Lever grip	PVC
Gland nut	Brass
Flow straightener	Polythene

MAXIMUM PRESSURE TEMPERATURE RATINGS		
Size	Maximum Working Pressure (bar)	
1/2" - 3/4"	(Cold working) Temperature up to 60°C	(Hot working) Temperature up to 100°C
	16.0	8

Temperature range 0°C +100°C (non shock)



PB50 AT Chrome plated brass ball type bibtap, Red lever, screwed 3/4" American thread on nose

Pegler

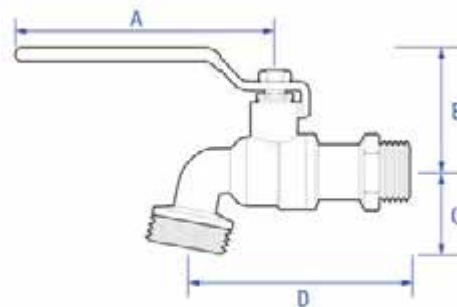
SIZES

ANSI-ASME B1.20.1 1983

Range	1/2"
Code	262003

DIMENSIONS (mm)

Size	1/2"
A	93
B	45
C	45
D	86
Weight kg	0.22



VALVE SUITABILITY

Steam	Water	Oil	Air	Gas Inert	Gas Combustible	Gas Corrosive	Gas Oxygen
x	✓	✓	x	x	x	x	x

MATERIAL SPECIFICATION

Component	Material
Body	Brass, Chromium plated
Cap	Brass, Chromium plated
Ball	Brass, Chromium plated
Ball seal	PTFE
Spindle	Brass, Chromium plated
Spindle seal	NBR
Lever nut	Brass
Lever	A3 steel
Lever grip	PVC
Gland nut	Brass
Flow straightener	Polythene

MAXIMUM PRESSURE TEMPERATURE RATINGS

Size	Maximum Working Pressure (bar)	
1/2"	(Cold working) Temperature up to 60°C	(Hot working) Temperature up to 100°C
	16.0	8

Temperature range 0°C +100°C (non shock)

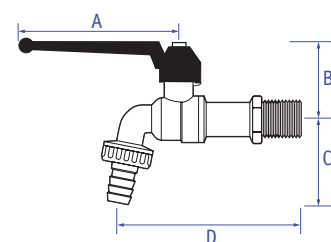
PB52 HU Chrome plated brass hose union type bibtap, black cast lever

Pegler

SIZES		
Inlet Parallel ISO 228-1		
Range	1/2"	3/4"
Code	262021	262022



DIMENSIONS (mm)		
Size	1/2"	3/4"
A	88	88
B	45	45
C	45	50
D	105	105
Weight kg	0.28	0.36



VALVE SUITABILITY								
Steam	Water	Oil	Air	Gas Inert	Gas Combustible	Gas Corrosive	Gas Oxygen	
✗	✓	✓	✗	✗	✗	✗	✗	✗

MATERIAL SPECIFICATION	
Component	Material
Body	Brass, Chromium plated
Cap	Brass, Chromium plated
Ball	Brass, Chromium plated
Ball seal	PTFE
Spindle	Brass
Spindle seal	NBR
Hose pipe	Brass
Hose nut	Brass
Hose union 'O' ring	NBR
Lever securing screw	Brass, chromium plated
Lever	Cast aluminium, painted black
Gland nut	Brass
Flow straightener	Polythene

MAXIMUM PRESSURE TEMPERATURE RATINGS		
Size	Maximum Working Pressure (bar)	
1/2" - 3/4"	Temperature up to 60°C	Temperature up to 100°C
	16.0	8

Temperature range 0°C +100°C (non shock)

855 M0H Floatvalve Portsmouth pattern high pressure

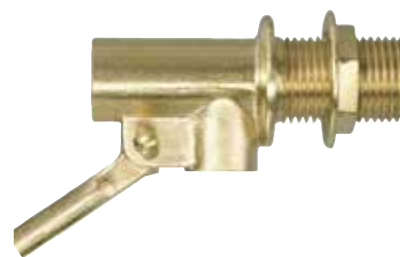


SIZES

855-Z							
Range	1/2"*	3/4"	1"	1 1/4"	1 1/2"	2	1/2"
Code	518007	518008	518009	518010	518013	518014	518017

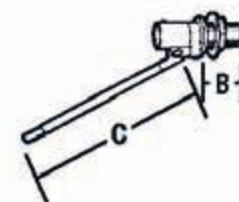
DIMENSIONS (mm)

855-Z							
Range	1/2"	3/4"	1"	1 1/4"	1 1/2"	2	1/2"
A = BORE	1/8"	1/4"	3/8"	7/16"	21/32"	15/16"	1/8"
B	1 1/4"	1 1/2"	1 1/2"	2"	2 3/16"	2 3/16"	1 1/4"
C	10"	13"	14"	16"	26"	26"	10"
Weight kg	0.26	0.45	0.83	0.94	2.68	2.68	0.29



FLOW RATE & SIZE SELECTION (gpm)

	Static Pressure		855 Floatvalve					
	psi	Feet	1/2"	3/4"	1"	1 1/4"	1 1/2"	2"
LOW PRESSURE	0.5	1.15	0.25	0.82	1.85	2.50	5.90	11.70
	1.0	2.30	0.35	1.16	2.60	3.50	8.30	16.50
	2.0	4.60	0.50	1.65	3.70	4.90	11.80	23.50
	4.0	9.20	0.70	2.33	5.20	6.90	16.60	33.70
	7.0	16.10	0.93	3.10	6.90	9.20	21.90	43.10
	10.0	23.10	1.10	3.70	8.20	11.00	26.30	52.50
	15.0	34.60	1.40	4.50	10.10	13.50	32.30	64.40
	20.0	46.20	1.60	5.20	11.70	15.60	37.30	74.40
	25.0	57.70	1.76	5.80	13.00	17.40	41.60	83.10
	30.0	69.30	1.93	6.40	14.30	19.10	45.60	91.00
HIGH PRESSURE	35.0	80.80	2.10	6.90	15.40	20.60	49.20	98.30
	40.0	92.40	2.20	7.40	16.50	22.00	52.60	105.00
	50.0	115.00	2.50	8.20	18.40	24.60	58.70	117.00
	60.0	138.00	2.70	9.00	20.20	27.00	64.40	128.00
	70.0	161.00	2.90	9.60	21.50	28.80	68.60	136.00
	80.0	184.00	3.10	10.30	23.30	31.00	74.00	147.00
	90.0	207.00	3.30	11.00	24.70	33.00	79.00	157.00
	100.0	231.00	3.50	11.60	26.00	34.70	84.00	165.00
	110.0	254.00	3.70	12.20	27.30	36.50	87.00	173.00
	125.0	289.00	3.90	13.00	29.20	39.00	93.00	186.00
150.0	346.00	4.30	14.20	31.80	42.50	101.00	202.00	
175.0	404.00	4.60	15.30	34.40	46.00	109.00	218.00	
200.0	462.00	5.00	16.50	37.00	49.40	118.00	235.00	



Flow Rate and Size Selection Chart General Notes:

The discharge through a floatvalve is governed by the running pressure maintained at its inlet. In practice this is difficult to measure and so the tables shown indicate the 'estimated' flow rate in G.P.M that will occur at various static heads for each size of floatvalve or for each size of seat in floatvalves that accept a variety of seat sizes. The flow rates quoted will only occur when the floatvalve is fully open and will reduce as the water level in the tank rises. Excessive pipe runs to the floatvalve will result in lower running pressures and thus reduced flow rates.

Note: Where the same flow rate is quoted for 2 sizes of floatvalve, select the smaller size if the indicated flow rate is more than 5% in excess of the flow rate required.

RANGE

							Recommended Float Size	
	Size	Piston Material	Backnut Material	Seat Bore	Tail Length	Lever Length	Copper	Plastic
HIGH PRESSURE	1/2"	Nylon	Brass	1/8"	1 1/4"	10"	4 1/2" x 5/16" W	4 1/2" x 5/16" W
	1/2"*	Brass	Brass	1/8"	1 1/4"	10"	4 1/2" x 5/16" W	4 1/2" x 5/16" W
	3/4"	Brass	Brass	1/4"	1 1/2"	13"	5 1/2" x 5/16" W	5" x 5/16" W
	1"	Brass	Brass	3/8"	1 1/2"	14"	6" x 3/8" W	6" x 3/8" W
	1 1/4"	Brass	Brass	7/16"	2"	16"	8" x 3/8" W	8" x 3/8" W
	1 1/2"	Brass	Brass	5/8"	2"	21 21/32"	10" x 1/2" W	10" x 1/2" W
LOW PRESSURE	2"	Brass	Brass	5/8"	2"	21 21/32"	12" x 1/2" W	12" x 1/2" W
	3/8"	Brass	Brass	7/32"	1 1/4"	7 1/4"	-	3" x 5/16" W
	1/2"	Nylon	Brass	7/32"	1 1/4"	10"	4 1/2" x 5/16" W	4 1/2" x 5/16" W
	1/2"*	Brass	Brass	7/32"	1 1/4"	10"	4 1/2" x 5/16" W	4 1/2" x 5/16" W
	3/4"	Brass	Brass	3/8"	1 1/2"	13"	5 1/2" x 5/16" W	5" x 5/16" W

MATERIAL SPECIFICATION

Component	Material
Body	Brass
Piston	Brass/Nylon*
Piston washer	NBR
Cotter pin	Brass
Lever	Brass
Backnut	Brass

Maximum cold working pressure (bar)
14.0 bar at temperature up to 85°C

Maximum hot working pressure (bar)
Not suitable for maximum hot working pressure

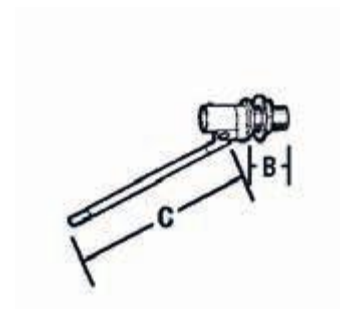
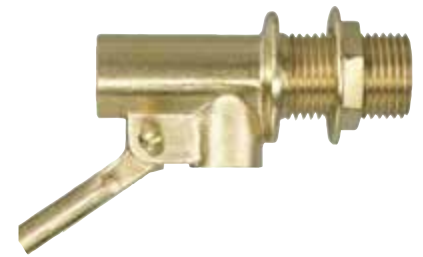
856 M0H Floatvalve Portsmouth pattern low pressure



SIZES				
856-Z				
Range	3/8"	1/2"	3/4"	1/2"
Code	519006	519007	519008	519017

DIMENSIONS (mm)				
856-Z				
Range	3/8"	1/2"	3/4"	1/2"
A = BORE	7/32"	7/32"	3/8"	7/32"
B	1 1/4"	1 1/4"	1 1/4"	1 1/4"
C	10"	10"	13"	10"
Weight kg	0.25	0.26	0.45	0.29

FLOW RATE & SIZE SELECTION (gpm)					
	Static Pressure		856 Floatvalve		
	psi	Feet	3/8"	1/2"	3/4"
LOW PRESSURE	0.5	1.15	0.61	0.61	1.85
	1.0	2.30	0.86	0.86	2.60
	2.0	4.60	1.20	1.20	3.70
	4.0	9.20	1.70	1.70	5.20
	7.0	16.10	2.30	2.30	6.90
	10.0	23.10	2.70	2.70	8.20
	15.0	34.60	3.30	3.30	10.10
	20.0	46.20	3.90	3.90	11.70
	25.0	57.70	4.30	4.30	13.00
	30.0	69.30	4.70	4.70	14.30
	35.0	80.80	5.10	5.10	15.40
	40.0	92.40	5.50	5.50	16.50



Flow Rate and Size Selection Chart General Notes:

The discharge through a floatvalve is governed by the running pressure maintained at its inlet. In practice this is difficult to measure and so the tables shown indicate the 'estimated' flow rate in G.P.M that will occur at various static heads for each size of floatvalve or for each size of seat in floatvalves that accept a variety of seat sizes. The flow rates quoted will only occur when the floatvalve is fully open and will reduce as the water level in the tank rises. Excessive pipe runs to the floatvalve will result in lower running pressures and thus reduced flow rates.

Note: Where the same flow rate is quoted for 2 sizes of floatvalve, select the smaller size if the indicated flow rate is more than 5% in excess of the flow rate required.

RANGE							Recommended Float Size	
	Size	Piston Material	Backnut Material	Seat Bore	Tail Length	Lever Length	Copper	Plastic
							LOW PRESSURE	3/8"
1/2"	Nylon	Brass	7/32"	1 1/4"	10"	4 1/2" x 5/16" W		4 1/2" x 5/16" W
1/2"*	Brass	Brass	7/32"	1 1/4"	10"	4 1/2" x 5/16" W		4 1/2" x 5/16" W
3/4"	Brass	Brass	3/8"	1 1/2"	13"	5 1/2" x 5/16" W		5" x 5/16" W

MATERIAL SPECIFICATION	
Component	Material
Body	Brass
Piston	Brass
Piston washer	NBR
Cotter pin	Brass
Lever	Brass
Backnut	Brass

Maximum cold working pressure (bar)
14.0 bar at temperature up to 85°C

Maximum hot working pressure (bar)
Not suitable for maximum hot working pressure

857N/859N Floatvalve Nylon seat BS 1212

Part one high pressure



FLOATVALVES to BS 1212

BS 1212 Part One. High Pressure. Nylon seat							
Pattern Number	Size	Piston Material	Backnut Material	Seat Bore	Tail Length	Lever Length	Order Code
857 N	1/2"	N	B	No 3 (1/8")	1 1/4"	8 3/4"	514007
857 N-Z	1/2"	N	N	No 3 (1/8")	1 1/4"	8 3/4"	514017
857 N-S	1/2"	N	B	No 5 (3/16")	1 1/4"	8 3/4"	514018
857 N-Y	1/2"	B	B	No 3 (1/8")	1 1/4"	8 3/4"	514027
857 N-X	1/2"	N	B	No 3 (1/8")	1 1/4"	10 1/2"	514037
857 N-W	1/2"	N	B	No 3 (1/8")	1 7/8"	10 1/2"	514047
857 N-V	1/2"	B	B	No 3 (1/8")	1 7/8"	10 1/2"	514057
857 N-U	1/2"	N	B	No 3 (1/8")	2 1/2"	10 1/2"	514067
857 N	3/4"	B	B	No 6 (1/4")	1 1/4"	13"	514008
857 N	1"	Bz	B	No 9 (3/8")	1 1/2"	16"	514009
BS 1212 Part One. Low Pressure. Nylon seat							
859 N	1/2"	B	B	No 9 (3/8")	1 1/4"	8 3/4"	515007
859 N-V	1/2"	B	B	No 9 (3/8")	1 7/8"	10 1/2"	515027
859 N	3/4"	B	B	No 13 (1/2")	1 1/4"	13"	515008

Note: Shading denotes variation to standard 1/2"
Specification key: B = Brass, N = Nylon, Bz = Bronze



FLOW RATE & SIZE SELECTION (gpm)

	Static Pressure		BS 1212 PART 1 Seat Bore Size			
	psi	Feet	1/3"	1/4"	3/8"	1/2"
LOW PRESSURE	0.5	1.15	0.20	0.82	1.84	3.38
	1.0	2.30	0.29	1.16	2.61	4.65
	2.0	4.60	0.41	1.65	3.69	6.57
	4.0	9.20	0.53	2.33	5.22	9.29
	7.0	16.10	0.77	3.08	6.90	12.30
	10.0	23.10	0.92	3.69	8.27	14.70
	15.0	34.60	1.13	4.52	10.10	18.00
	20.0	46.20	1.31	5.22	11.70	20.80
	25.0	57.70	1.46	5.82	13.00	23.20
	30.0	69.30	1.60	6.40	14.30	25.50
MEDIUM PRESSURE	35.0	80.80	1.73	6.90	15.50	27.50
	40.0	92.40	1.85	7.38	16.50	29.50
	50.0	115.00	2.06	8.24	18.50	32.80
	60.0	138.00	2.26	9.02	20.20	36.00
	70.0	161.00	2.44	9.74	21.80	38.80
	80.0	184.00	2.60	10.40	23.30	41.50
	90.0	207.00	2.76	11.00	24.70	44.00
HIGH PRESSURE	100.0	231.00	2.92	11.60	26.10	46.50
	110.0	254.00	3.06	12.20	27.40	48.80
	125.0	289.00	3.26	13.10	29.20	52.10
	150.0	346.00	3.58	14.30	32.00	57.10
	175.0	404.00	3.86	15.40	34.60	61.60
200.0	462.00	4.13	16.50	37.00	65.90	

Flow Rate and Size Section Chart general Notes:

The discharge through a floatvalve is governed by the running pressure maintained at its inlet. In practice this is difficult to measure and so the tables shown indicate the 'estimated' flow rate in G.P.M. that will occur at various static heads for each size of floatvalve or for each size of seat in floatvalves that accept a variety of seat sizes. The flow rates quoted will only occur when the floatvalve is fully open and will reduce as the water level in the tank rises. Excessive pipe runs to the floatvalve will result in lower running pressures and thus reduced flow rates.

MATERIAL SPECIFICATION

Component	Material
Body	Brass
Body cap	Brass
Lever	Brass
Cotter pin	Brass
Lever nut	Brass
Body union nut	Brass
Tail pipe	Brass
Union nut washer	Fibre
Back nut washer/Spigot nut	Brass/Nylon
Seats	Nylon
Piston	Brass/Nylon
Piston washer	NBR
Cap seal	NBR

MINIMUM OPERATING PRESSURE RATINGS

Size	Minimum Operating Pressure (bar)	Maximum Cold Working Pressure (bar)	Maximum Hot Working Pressure (bar)
1/2" to 1"	No minimum operating pressure	Temperatures up to 85°C	Not suitable for Maximum Hot Working pressure
	-	14	-

857B/859B Floatvalve Bronze seat BS 1212

Part one high pressure



FLOATVALVES to BS 1212

BS 1212 Part One. High Pressure. Bronze seat

Pattern Number	Size	Piston Material	Backnut material	Seat Bore	Tail Length	Lever Length	Order Code
857 B-Y	½"	B	B	No 3 (1/8")	1¼"	8¾"	514097
857 B-V	½"	B	B	No 3 (1/8")	17/8"	10½"	514127
857 B	¾"	B	B	No 6 (1/4")	1¼"	13"	514078
857 B	1"	Bz	B	No 9 (3/8")	1½"	16"	514079

BS 1212 Part One. Low Pressure. Bronze seat

859 B	½"	B	B	No 9 (3/8")	1¼"	8¾"	515037
-------	----	---	---	-------------	-----	-----	--------

Note: Shading denotes variation to standard ½"

Specification key: B = Brass, N = Nylon, Bz = Bronze



FLOW RATE & SIZE SELECTION (gpm)

	Static Pressure		857/ 859 Floatvalve		
	psi	Feet	1/8"	1/4"	3/8"
LOW PRESSURE	0.5	1.15	0.20	0.82	1.84
	1.0	2.30	0.29	1.16	2.61
	2.0	4.60	0.41	1.65	3.69
	4.0	9.20	0.58	2.33	5.22
	7.0	16.10	0.77	3.08	6.90
	10.0	23.10	0.92	3.69	8.27
	15.0	34.60	1.13	4.52	10.10
	20.0	46.20	1.31	5.22	11.70
	25.0	57.70	1.46	5.82	13.00
	30.0	69.30	1.60	6.40	14.30
MEDIUM PRESSURE	35.0	80.80	1.73	6.90	15.50
	40.0	92.40	1.85	7.38	16.50
	50.0	115.00	2.06	8.24	18.50
	60.0	138.00	2.26	9.02	20.20
	70.0	161.00	2.44	9.74	21.80
	80.0	184.00	2.60	10.40	23.30
	90.0	207.00	2.76	11.00	24.70
HIGH PRESSURE	100.0	231.00	2.92	11.60	26.10
	110.0	254.00	3.06	12.20	27.40
	125.0	289.00	3.26	13.10	29.20
	150.0	346.00	3.58	14.30	32.00
	175.0	404.00	3.86	15.40	34.60
200.0	462.00	4.13	16.50	37.00	

Flow Rate and Size Selection Chart General Notes:

The discharge through a floatvalve is governed by the running pressure maintained at its inlet. In practice this is difficult to measure and so the tables shown indicate the 'estimated' flow rate in G.P.M that will occur at various static heads for each size of floatvalve or for each size of seat in floatvalves that accept a variety of seat sizes. The flow rates quoted will only occur when the floatvalve is fully open and will reduce as the water level in the tank rises. Excessive pipe runs to the floatvalve will result in lower running pressures and thus reduced flow rates.

Note: Where the same flow rate is quoted for 2 sizes of floatvalve, select the smaller size if the indicated flow rate is more than 5% in excess of the flow rate required.

MATERIAL SPECIFICATION

Component	Material
Body	Brass
Body cap	Brass
Lever	Brass
Lever nut	Brass
Cotter pin	Brass
Body union nut	Brass
Tail pipe	Brass
Union nut washer	Fibre
Back nut washer / Spigot nut	Brass/Nylon
Seals	Bronze
Piston	Brass
Piston washer	NBR
Cap seal	NBR

PLASTIC FLOAT SIZES

Range	3"	4½"	5"	6"	8"	10"	12"
Code	596022	596032	596033	596025	596028	596029	596038



DIMENSIONS

Range	3"	4½"	5"	6"	8"	10"	12"
Connection to lever arm*	5/16" W	5/16" W	5/16" W	3/8" W	3/8" W	1/2" W	1/2" W
Weight kg	0.03	0.092	0.114	0.168	0.408	0.803	0.914

COPPER FLOAT SIZES

Range	4½"	5½"	6"	8"	10"	12"	14"	15"	16"
Code	596001	596003	596004	596006	596008	596009	596010	596011	596012
Weight kg	0.121	0.183	0.219	0.442	0.686	1.005	2.42	2.39	2.766



BRASS STUDS FOR COPPER FLOATS

Copper float requires							
Range (Float size)	4½"	5½"	6"	8"	10"	12"	12"
Code	596039	596040	596041	596042	596043	596044	
Size	5/16" W	3/8" W	7/16" W	1/2" W	9/16" W	9/16" W	
Weight kg	0.020	0.020	0.055	0.104	0.098	0.187	



CLAWS FOR COPPER FLOATS

Range	14"	15"	16"
Code	596047	596048	596049
Size	3/4" W	3/4" W	7/8" W
Weight kg	0.3322	0.313	0.532



* W - Whitworth thread

Note: Studs generally required for float valves up to 2", Claws for 2½ - 6" valves.

Note: Ball floats are only supplied in export shipments.

901 Floatvalve equilibrium pattern reduced bore



RANGE									
Pattern Number	Size	Piston Material	Backnut Material	Seat Bore	Tail Length	Lever Length	Recommended Float Size		Weight Approx kg
							Copper	Plastic	
520007 - 901	1/2"	Brass	Brass	5/16"	1 1/4"	11"	4 1/2" x 5/16" W	4 1/2" x 5/16" W	0.47
520008 - 901	3/4"	Brass	Brass	1/2"	1 1/4"	12 7/8"	5 1/2" x 5/16" W	5" x 5/16" W	0.91
520009 - 901	1"	Brass	Brass	3/4"	1 1/2"	10 1/16"	6" x 7/16" W	6" x 7/16" W	1.56
520010 - 901	1 1/4"	Bronze	Bronze	1 1/64"	1 7/8"	10 13/16"	8" x 9/16" W	8" x 9/16" W	3.40
520011 - 901	1 1/2"	Bronze	Bronze	1 3/16"	1 7/8"	10 13/16"	10" x 9/16" W	10" x 9/16" W	3.42
520012 - 901	2"	Bronze	Bronze	1 1/2"	2 1/8"	11 1/8"	12" x 5/8" W	12" x 5/8" W	5.84
520300 - 901	2 1/2"	Bronze	Bronze	2 1/4"	3"	19"	12" x 9/16" W		5.11
520305 - 901	3"	Bronze	Bronze	2 1/2"	3 1/2"	20"	14" x 3/4" W		8.25
520310 - 901	4"	Bronze	Bronze	3"	4"	21"	15" x 3/4" W		12.78
520315 - 901	6"	Bronze	Bronze	4"	5"	23"	16" x 7/8" W		24.55

Note: Where two sizes or two patterns of floatvalve are capable of providing the required flow rate, select the smaller size if the indicated flow rate is more than 10% in excess of the flow rate required.

FLOW RATE & SIZE SELECTION (gpm)											
Static Pressure		901 - Floatvalve Size									
Bar	PSI	1/2"	3/4"	1"	1 1/4"	1 1/2"	2"	2 1/2"	3"	4"	6"
0.5	7.2	4.9	12.5	28.0	50.0	70.0	110.0	250.0	310.0	450.0	800.0
1.0	14.5	6.9	17.7	38.0	71.0	100.0	150.0	350.0	440.0	630.0	1130.0
1.5	21.7	8.4	21.7	48.0	87.0	120.0	190.0	430.0	540.0	770.0	1380.0
2.0	29.0	9.7	25.0	55.0	100.0	140.0	220.0	500.0	620.0	890.0	1600.0
2.5	36.2	10.9	28.0	62.0	112.0	150.0	250.0	560.0	690.0	1000.0	1780.0
3.0	43.5	11.9	31.0	68.0	122.0	170.0	270.0	610.0	760.0	1100.0	1950.0
4.0	58.0	13.8	35.0	80.0	142.0	190.0	320.0	710.0	880.0	1270.0	2250.0
5.0	72.0	15.3	39.0	88.0	157.0	220.0	350.0	790.0	980.0	1400.0	2500.0
6.0	87.0	16.8	43.0	96.0	173.0	240.0	380.0	870.0	1070.0	1550.0	2750.0
7.0	101.0	18.2	46.0	104.0	186.0	260.0	420.0	940.0	1160.0	1670.0	2950.0
8.0	116.0	19.5	50.0	110.0	200.0	280.0	440.0	1000.0	1250.0	1800.0	3200.0
9.0	130.0	20.7	53.0	118.0	212.0	300.0	470.0	1060.0	1320.0	1900.0	3400.0
10.0	145.0	21.7	56.0	125.0	223.0	315.0	500.0	1120.0	1390.0	2000.0	3550.0
11.0	159.0	22.8	59.0	130.0							
12.0	174.0	23.8	61.0	136.0							
13.0	188.0	24.9	64.0	142.0							
14.0	203.0	25.7	66.0	148.0							

NOT SUITABLE FOR PRESSURES ABOVE 10 BAR



MATERIAL SPECIFICATION		
Component	Material	
Size	1/2 - 1"	1 1/4 - 6"
Body	Brass	Gunmetal
Inlet shank	Brass	Gunmetal
Coupling nut	Brass	Gunmetal
Joint washers	Fibre (non asbestos)	Fibre (non asbestos)
Seat	Brozen	Gunmetal
Piston	Brass	Gunmetal
Piston guide	Brass	Gunmetal
Piston 'O' ring	EPDM	Nitrile
Retaining cap/End cap	Brass	Gunmetal
Piston washer	Rubber	EPDM
Fixed flange backnut	Brass	Gunmetal
Lever heel	Brass	Gunmetal
Spigot backnut/loose	Brass	Gunmetal
Sealing washer		Fibre (non asbestos)
Split pin	Brass	Brass
Retaining washer	-	Stainless Steel
Retaining bolt	-	Stainless Steel
Lever nuts	Brass	N/A
Lever arm	Brass	HT Brass

Flow Rate and Size Section Chart general notes:

The discharge through a floatvalve is governed by the running pressure maintained at its inlet. In practice this is difficult to measure and so the tables shown indicate the 'estimated' flow rate in G.P.M. that will occur at various static heads for each size of floatvalve or for each size of seat in floatvalves that accept a variety of seat sizes. The flow rates quoted will only occur when the floatvalve is fully open and will reduce as the water level in the tank rises. Excessive pipe runs to the floatvalve will result in lower running pressures and thus reduced flow rates.

79 Chromium plated brass angle valve hot or cold male iron x male iron

Pegler

SIZES

Range	1/2"
Code	510052

DIMENSIONS (mm)

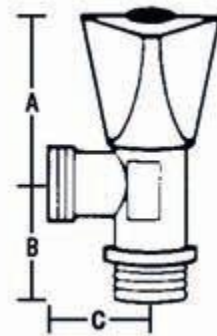
Range	
A	46
B	34.5
C	26.5
Weight kg	0.22

MATERIAL SPECIFICATION

Component	Material
Body	Brass (CP)
Headwork	Brass
Stem	Brass
Seat	Brass
Indice	Plastic
Circlip	Steel
Handle	Zinc alloy (CP)

MINIMUM OPERATING PRESSURE RATINGS

Size	Minimum Operating Pressure (bar)	Maximum Cold Working Pressure (bar)	Maximum Hot Working Pressure (bar)
1/2"	No minimum operating pressure	Temperatures up to 95°C	Not suitable for Maximum Hot Working pressure
	-	10	-



78 Soft seat chromium plated brass angle valve, hot or cold, male iron x male iron



SIZES	
Range	1/2"
Code	510060

DIMENSIONS (mm)	
Range	
A	46
B	34.5
C	26.5
Weight kg	0.21

MATERIAL SPECIFICATION	
Component	Material
Body	Brass (CP)
Headwork	Brass
Stem	Brass
Seat	NBR
Indice	Plastic
Circlip	Steel
Handle	Zinc alloy (CP)

MINIMUM OPERATING PRESSURE RATINGS			
Size	Minimum Operating Pressure (bar)	Maximum Cold Working Pressure (bar)	Maximum Hot Working Pressure (bar)
1/2"	No minimum operating pressure	Temperatures up to 95°C	Not suitable for Maximum Hot Working pressure
	-	10	-



77 Chromium plated brass angle valve, TW Three point handle.

Pegler

SIZES

Range	1/2 x 1/2" (1/2 x 10mm)
Code	510045

DIMENSIONS (mm)

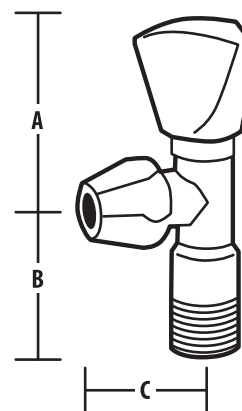
Range	
A	50
B	49
C	40
Weight kg	0.24

MATERIAL SPECIFICATION

Component	Material
Body	Brass
Headwork	Brass
Stem	Brass
Compression nut	CP Brass
Compression olive	Brass
Handle	CP Zinc alloy
Decor plate	Stainless steel 304
'O' ring	NBR
Circlip	Steel 65MN
Handle 'core'	Nylon
Washers	NBR

MINIMUM OPERATING PRESSURE RATINGS

Size	Minimum Operating Pressure (bar)	Maximum Cold Working Pressure (bar)	Maximum Hot Working Pressure (bar)
1/2 x 1/2"	No minimum operating pressure	Temperatures up to 95°C	Not suitable for Maximum Hot Working pressure
	-	10	-



SIZES

Range	½ x ¾" (10mm)	½ x ½"
Code	510040	510041

DIMENSIONS (mm)

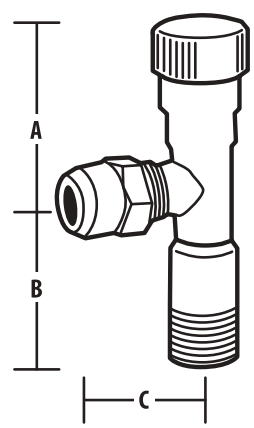
Range	½ x ¾" (10mm)	½ x ½"
A	46	46
B	47	47
C	41	25
Weight kg	0.158	0.155

MATERIAL SPECIFICATION

Component	Material
Body	Brass (CP)
Headwork	Brass
Stem	Brass
Washer	NBR
Compression nut	CP Brass
Compression olive	Brass
Handle	ABS CP
'O' ring	NBR
Decor plate	Stainless steel 304

MINIMUM OPERATING PRESSURE RATINGS

Size	Minimum Operating Pressure (bar)	Maximum Cold Working Pressure (bar)	Maximum Hot Working Pressure (bar)
½ x ½"	No minimum operating pressure	Temperatures up to 95°C	Not suitable for Maximum Hot Working pressure
	-	10	-



89 Concealed chromium plated brass Stopvalve hot or cold, female iron x female iron

Pegler

SIZES

Range	1/2"	3/4"
Code	510100	510101

DIMENSIONS (mm)

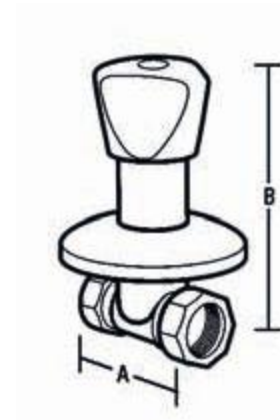
Range		
A	54	58.7
B	104	104
Weight kg	0.35	0.40

MATERIAL SPECIFICATION

Component	Material
Body	Brass
Headwork	Brass
Sleeve	Brass CP
Jumper washer	Nitrile rubber
Handle	Zinc Alloy CP
Indice	Plastic

MINIMUM OPERATING PRESSURE RATINGS

Size	Maximum Working Pressure (bar)
1/2 - 3/4"	Temperatures up to 85°C
	16



709 Light pattern brass Stopvalve crutch top female iron x female iron

SIZES

Range	1/2"	3/4"
Code	510007	510008

DIMENSIONS (mm)

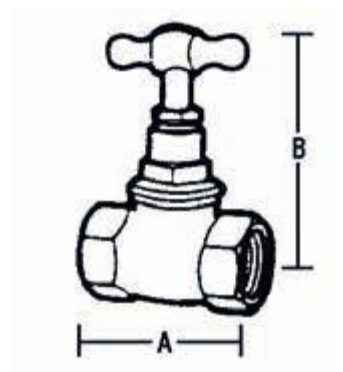
Range		
A	54	63.5
B	66.5	71.5
Weight kg	0.22	0.42

MATERIAL SPECIFICATION

Component	Material
Body	Forged Brass
Head	Brass bar
Spindle	Brass bar
Handle	Forged brass
Valve	Brass bar
Gland	Brass bar
Packing	Plastic
Seals	Rubber

MINIMUM OPERATING PRESSURE RATINGS

Size	Maximum Working Pressure (bar)
1/2 - 3/4"	Temperatures up to 85°C
	16



744 Brass stopvalve BS1010 crutch top, female iron x female iron

Pegler

SIZES

Range	1/2"	3/4"	1"	1 1/4"	1 1/2"	2	3*
Code	513007	513008	513009	513010	513011	513012	513014

*3" Supplied with cast alloy hand wheel

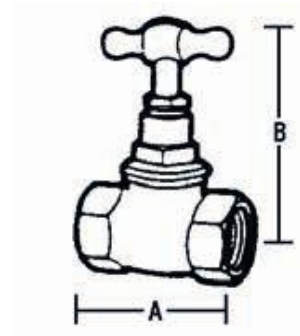
DIMENSIONS (mm)

Range							
A	56.5	67	86	95	103	130	184
B	90	100	122	135	155	180	230
Weight kg	0.35	0.51	1.09	1.65	2.19	4.03	7.90



MATERIAL SPECIFICATION

Component	Material
Body	Forged Brass
Head	Brass
Spindle	Brass
Handle	Brass
Valve	Bras
Gland	Brass
Packing	PTPE
Seals	EPDM



MINIMUM OPERATING PRESSURE RATINGS

Size	Maximum Working Pressure (bar)
1/2" - 3"	Temperatures up to 85°C
	16

701S Light pattern brass bibtap crutch top



SIZES

Range	1/2"	3/4"
Code	509011	509013

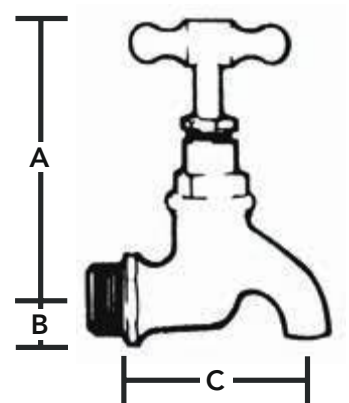
DIMENSIONS (mm)

Range		
A	70	80
B	38	46
C	75	87
Weight kg	0.30	0.53



MATERIAL SPECIFICATION

Component	Material
Body	Forged Brass
Head	Brass bar
Spindle	Brass bar
Handle	Forged brass
Valve	Brass bar
Gland	Brass bar
Packing	PTFE
Seals	Rubber



MINIMUM OPERATING PRESSURE RATINGS

Size	Minimum Operating Pressure (bar)	Maximum Cold Working Pressure (bar)	Maximum Hot Working Pressure (bar)
1/2 - 3/4"	No minimum operating pressure	Temperatures up to 90°C	Not suitable for Maximum Hot Working pressure
	-	10	-

723 Light pattern brass hose union bibtap crutch top

Pegler

SIZES

Range	1/2"	3/4"
Code	511007	511008

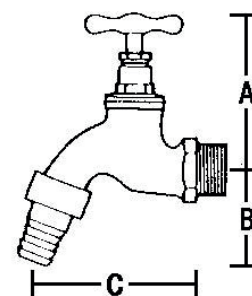
DIMENSIONS (mm)

Range		
A	70	80
B	38	46
C	75	87
Weight kg	0.30	0.53



MATERIAL SPECIFICATION

Component	Material
Body	Forged Brass
Head	Brass bar
Spindle	Brass bar
Handle	Forged brass
Valve	Brass bar
Gland	Brass bar
Packing	PTFE
Seals	Rubber



MINIMUM OPERATING PRESSURE RATINGS

Size	Minimum Operating Pressure (bar)	Maximum Cold Working Pressure (bar)	Maximum Hot Working Pressure (bar)
1/2 - 3/4"	No minimum operating pressure	Temperatures up to 90°C	Not suitable for Maximum Hot Working pressure
	-	10	-

723AT Light pattern brass bibtap crutch top, screwed 3/4" American thread

Pegler

SIZES

Range	1/2"
Code	511037

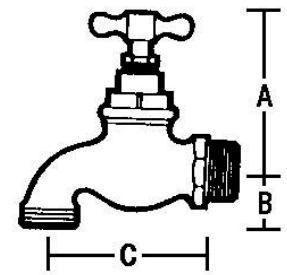
DIMENSIONS (mm)

Range	
A	70
B	38
C	75
Weight kg	0.30



MATERIAL SPECIFICATION

Component	Material
Body	Forged Brass
Head	Brass bar
Spindle	Brass bar
Handle	Forged brass
Valve	Brass bar
Gland	Brass bar
Packing	PTFE
Seals	Rubber



MINIMUM OPERATING PRESSURE RATINGS

Size	Minimum Operating Pressure (bar)	Maximum Cold Working Pressure (bar)	Maximum Hot Working Pressure (bar)
1/2	No minimum operating pressure	Temperatures up to 90°C	Not suitable for Maximum Hot Working pressure
	-	10	-

SIZES

Range	1/2"	3/4"
Code	508017	508018

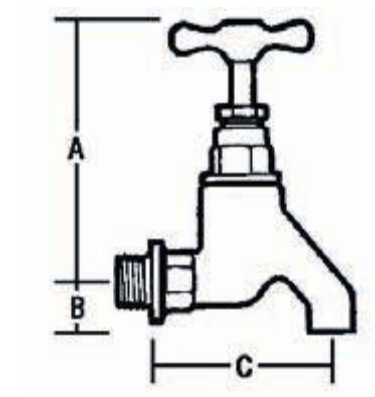
DIMENSIONS (mm)

Range		
A	96	101
B	16	22
C	65	88
Weight kg	0.38	0.61



MATERIAL SPECIFICATION

Component	Material
Body	Forged Brass
Head	Brass bar
Spindle	Brass bar
Handle	Forged brass
Valve	Brass bar
Gland	Brass bar
Packing	EPDM
Seals	Rubber



MINIMUM OPERATING PRESSURE RATINGS

Size	Minimum Operating Pressure (bar)	Maximum Cold Working Pressure (bar)	Maximum Hot Working Pressure (bar)
1/2 - 3/4"	No minimum operating pressure	Temperatures up to 90°C	Not suitable for Maximum Hot Working pressure
	-	10	-

SIZES

Range	1/2"
Code	508037

DIMENSIONS (mm)

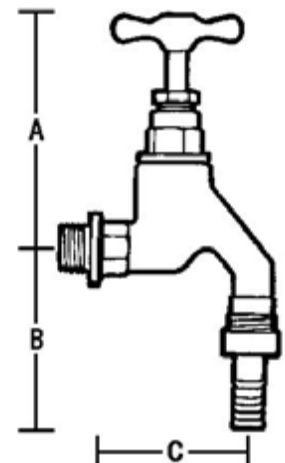
Range	1/2"
A	96
B	61
C	65
Weight kg	0.48

MATERIAL SPECIFICATION

Component	Material
Body	Forged Brass
Head	Brass bar
Spindle	Brass bar
Handle	Forged brass
Valve	Brass bar
Gland	Brass bar
Packing	PTFE
Seals	Rubber

MINIMUM OPERATING PRESSURE RATINGS

Size	Minimum Operating Pressure (bar)	Maximum Cold Working Pressure (bar)	Maximum Hot Working Pressure (bar)
1/2	No minimum operating pressure	Temperatures up to 90°C	Not suitable for Maximum Hot Working pressure
	-	10	-



141HU FGK Brass hose union bibtap with Ferrule guard and key, BS 1010

SIZES

Range	1/2"	3/4"
Code	508047	508048

DIMENSIONS (mm)

Range		
A	96	101
B	61	77
C	65	88
Weight kg	0.42	0.81

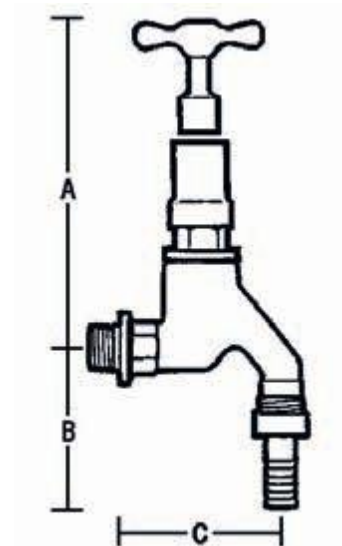


MATERIAL SPECIFICATION

Component	Material
Body	Forged Brass
Head	Brass bar
Spindle	Brass bar
Handle	Forged brass
Valve	Brass bar
Gland	Brass bar
Packing	PTFE
Seals	Rubber
Ferrule guard	Brass
Key	Brass

MINIMUM OPERATING PRESSURE RATINGS

Size	Minimum Operating Pressure (bar)	Maximum Cold Working Pressure (bar)	Maximum Hot Working Pressure (bar)
1/2 - 3/4"	No minimum operating pressure	Temperatures up to 90°C	Not suitable for Maximum Hot Working pressure
	-	10	-



142HU Combined hose union bibtap with integral double check valve, DZR metal, crutch top



SIZES

Range	1/2"
Code	508107

DIMENSIONS (mm)

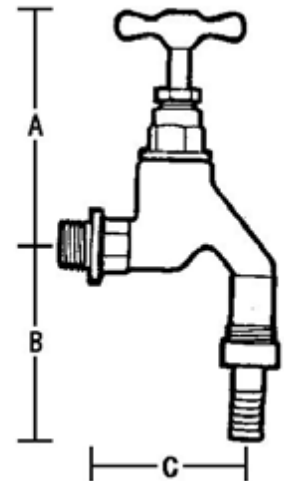
Range	1/2"	3/4"
A	96	101
B	76	22
C	65	88
Weight kg	0.38	0.61

MATERIAL SPECIFICATION

Component	Material
Body	DZR Forged Brass
Head	Brass bar
Spindle	Brass bar
Handle	Forged brass
Valve	Brass bar
Gland	Brass bar
Packing	PTFE
Seals	Rubber

MINIMUM OPERATING PRESSURE RATINGS

Size	Minimum Operating Pressure (bar)	Maximum Cold Working Pressure (bar)	Maximum Hot Working Pressure (bar)
1/2 - 3/4"	No minimum operating pressure	Temperatures up to 90°C	Not suitable for Maximum Hot Working pressure
	-	10	-



142HU FGK Combined hose union bibtap with integral double check valve and ferrule guard and key, DZR metal

Pegler

SIZES

Range	1/2"
Code	508117

DIMENSIONS (mm)

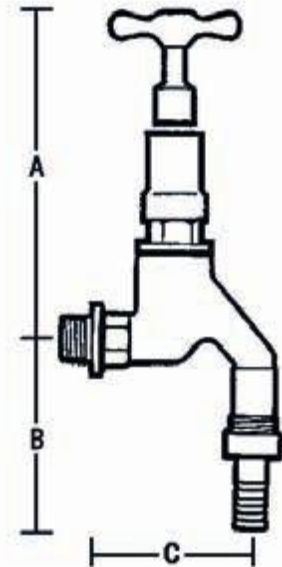
Range	
A	96
B	76
C	65
Weight kg	0.49

MATERIAL SPECIFICATION

Component	Material
Body	DZR Forged Brass
Head	Brass bar
Spindle	Brass bar
Handle	Forged brass
Valve	Brass bar
Gland	Brass bar
Packing	PTFE
Seals	EPDM

MINIMUM OPERATING PRESSURE RATINGS

Size	Minimum Operating Pressure (bar)	Maximum Cold Working Pressure (bar)	Maximum Hot Working Pressure (bar)
1/2 - 3/4"	No minimum operating pressure	Temperatures up to 90°C	Not suitable for Maximum Hot Working pressure
	-	10	-



833/834 Brass draincock

Type A to BS 2879/2, Type B to BS 2879/1, male taper thread to BS 21

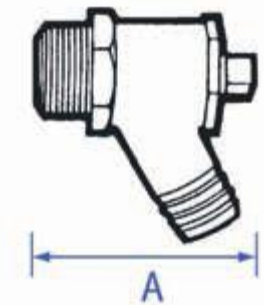


833 - SIZES		
Range	1/2"	3/4"
Code	542007	542008

DIMENSIONS (mm)		
Range		
A	55	63
Weight kg	-	-

MATERIAL SPECIFICATION	
Component	Material
Body	Forged Brass
Headwork	Brass
Spindle	Brass
Washer	EPDM
Spindle 'O' ring	EPDM
Cap 'O' ring	EPDM

MINIMUM OPERATING PRESSURE RATINGS			
Size	Minimum Operating Pressure (bar)	Maximum Cold Working Pressure (bar)	Maximum Hot Working Pressure (bar)
1/2 - 3/4"	No minimum operating pressure	Temperatures up to 120°C	Not suitable for Maximum Hot Working pressure
	-	20	-

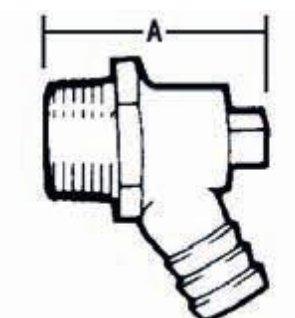


834 - SIZES	
Range	1/2"
Code	543007

DIMENSIONS (mm)	
Range	
A	39

MATERIAL SPECIFICATION	
Component	Material
Body	Brass
Stem	Brass
Jumper washer	Rubber

MINIMUM OPERATING PRESSURE RATINGS			
Size	Minimum Operating Pressure (bar)	Maximum Cold Working Pressure (bar)	Maximum Hot Working Pressure (bar)
1/2"	No minimum operating pressure	Temperatures up to 120°C	Not suitable for Maximum Hot Working pressure
	-	20	-



833GM Gunmetal draincock

Type A to BS 2879/2, male taper thread to BS 21

Pegler

SIZES

Range	1/2"	3/4"	1"
Code	542027	542028	542029

DIMENSIONS (mm)

Range			
A	55	73	79
Weight kg	0.13	0.26	0.60

VALVE SUITABILITY

Steam	Water	Oil	Air	Gas Inert	Gas Combustible	Gas Corrosive	Gas Oxygen
✗	✓	✓	✗	✗	✗	✗	✗

MATERIAL SPECIFICATION

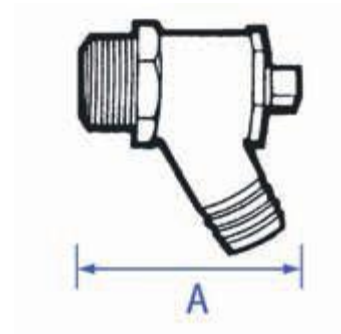
Component	Material
Body	Gunmetal
Headwork	Brass
Spindle	Brass
Washer	EPDM
Spindle 'O' ring	EPDM
Cap 'O' ring	EPDM

MAXIMUM PRESSURE TEMPERATURE RATINGS

Size	Maximum Working Pressure (bar)	Test Pressure (bar)	
		Shell	Seat
1/2 to 1"	Temperature up to 120°C	Shell	Seat
	20	30	22
Size	Maximum Working Pressure (psi)	Test Pressure (psi)	
		Shell	Seat
1/2 to 1"	Temperature max 212°F	Shell	Seat
	290.1	435.1	319.1

Temperature range -10°C - +120°C (non shock)

WRAS
APPROVED
PRODUCT



833GMLS Gunmetal draincock

Type A to BS 2879/2, male taper thread to BS 21

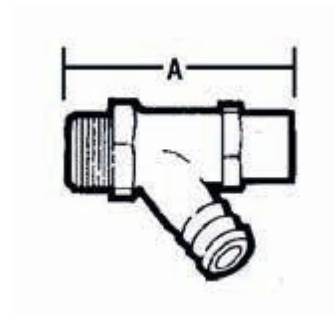


SIZES			
Range	1/2"	3/4"	1"
Code	542037	542038	542039

DIMENSIONS (mm)			
Range			
A	59	75	83
Weight kg	0.13	0.26	0.60

VALVE SUITABILITY							
Steam	Water	Oil	Air	Gas Inert	Gas Combustible	Gas Corrosive	Gas Oxygen
✗	✓	✓	✗	✗	✗	✗	✗

MATERIAL SPECIFICATION	
Component	Material
Body	Gunmetal
Headwork	Brass
Spindle	Brass
Washer	EPDM
Spindle 'O' ring	EPDM
Cap 'O' ring	EPDM
LS cover	Brass



MAXIMUM PRESSURE TEMPERATURE RATINGS			
Size	Maximum Working Pressure (bar)	Test Pressure (bar)	
1/2 to 1"	Temperature up to 120°C	Shell	Seat
	20	30	22
Size	Maximum Working Pressure (psi)	Test Pressure (psi)	
1/2 to 1"	Temperature max 212°F	Shell	Seat
	290.1	435.1	319.1

Temperature range -10°C - + 120°C (non shock)

808 Chromium plated straight pattern brass service valve, copper x copper

Pegler

SIZES

Range	15mm	22mm
Code	523007	523008

DIMENSIONS (mm)

Range		
A	59	70
Weight kg	0.14	0.22

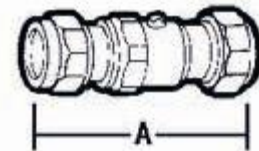
MATERIAL SPECIFICATION

Component	Material
Body	CP Brass
Ball	CP Brass
Ball circlip	Stainless steel
Stem 'O' ring	EPDM
Ball seals	PTFE
Compression nuts	CP Brass
Compression olives	Brass

MINIMUM OPERATING PRESSURE RATINGS

Size	Minimum Operating Pressure (bar)	Maximum Cold Working Pressure (bar)	Maximum Hot Working Pressure (bar)
15 to 22mm	No minimum operating pressure	Temperatures up to 30°C	Temperatures up to 120°C
	-	16.0	5.0

WRAS
APPROVED
PRODUCT



806 Chromium plated straight pattern brass service valve, copper x swivel union

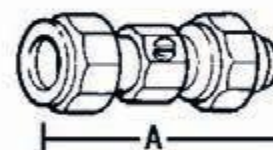
Pegler

WRAS
APPROVED
PRODUCT

SIZES	
Range	15mm x 1/2"
Code	521007

DIMENSIONS (mm)	
Range	
A	57
Weight kg	0.11

MATERIAL SPECIFICATION	
Component	Material
Body	CP Brass
Ball	CP Brass
Ball circlip	Stainless steel
Stem	CP Brass
Stem 'O' ring	EPDM
Ball seals	PTFE
Compression nuts	CP Brass
Spigot	CP Brass
Swivel nut	CP Brass
Washer	Red fibre (non asbestos)



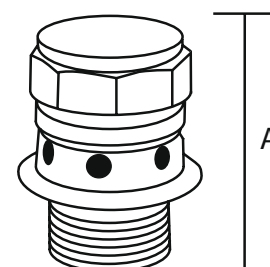
MINIMUM OPERATING PRESSURE RATINGS			
Size	Minimum Operating Pressure (bar)	Maximum Cold Working Pressure (bar)	Maximum Hot Working Pressure (bar)
15 to 22mm	No minimum operating pressure	Temperatures up to 30°C	Temperatures up to 120°C
	-	16.0	5.0

816 Brass spring safety valve, male thread (Export version*)

SIZES		
Range	1/2"	3/4"
Code	538011	538012

DIMENSIONS (mm)		
Range		
A	47	51
Weight kg	-	-

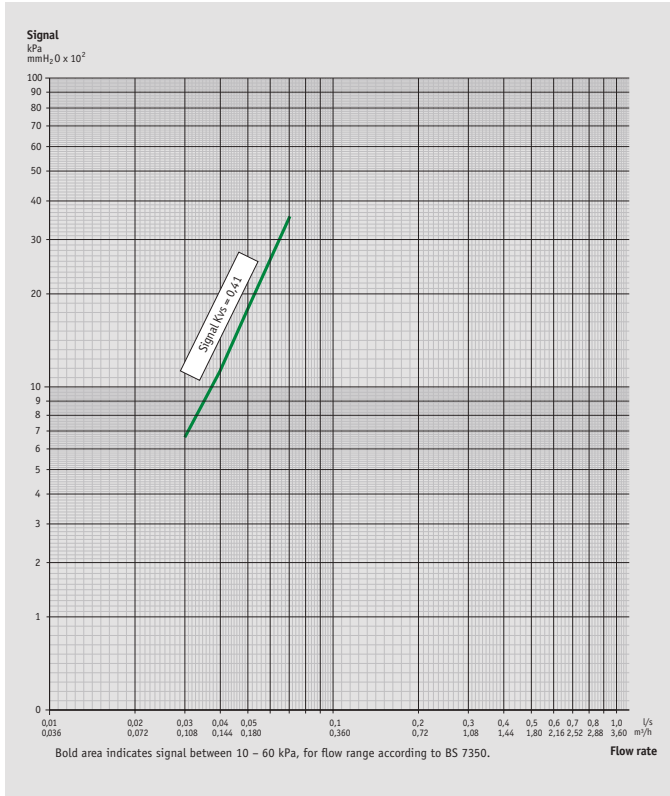
MATERIAL SPECIFICATION	
Component	Material
Body	Brass
Cap	Brass
Setting lock nut	Brass
Spring	Stainless steel
Inlet seat	Brass



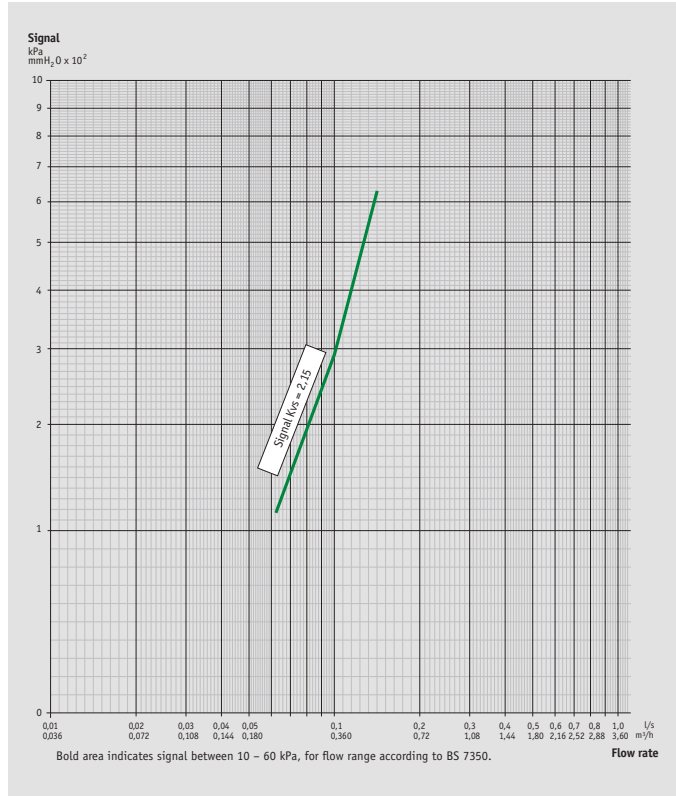
MINIMUM OPERATING PRESSURE RATINGS	
Size	Pressure Setting Range
1/2 to 3/4"	28 - 38 lb/in ²

* Only for sale outside of the EU.

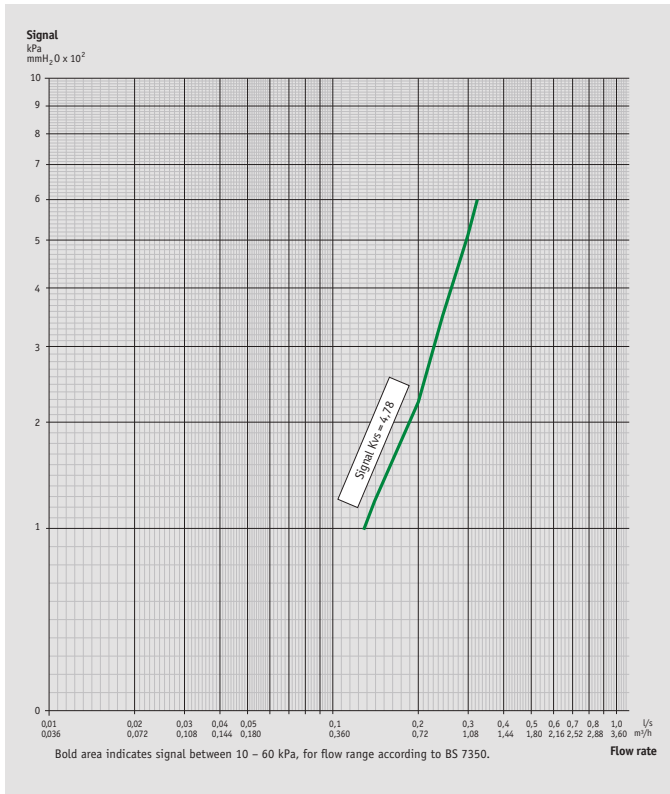
FODRV 1/2" 1260LF / 1250LF - Low flow



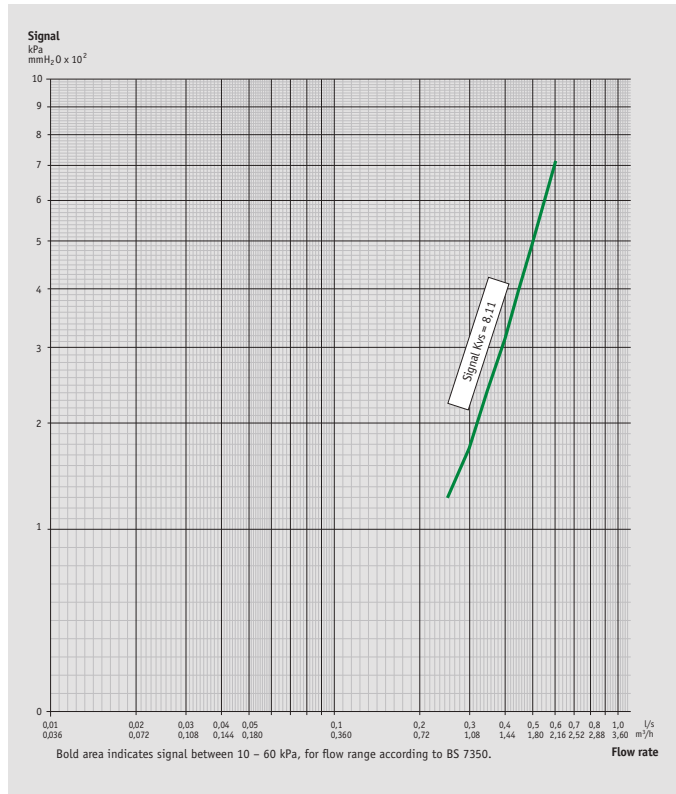
FODRV 1/2" 1260SF / 1250SF - Standard flow



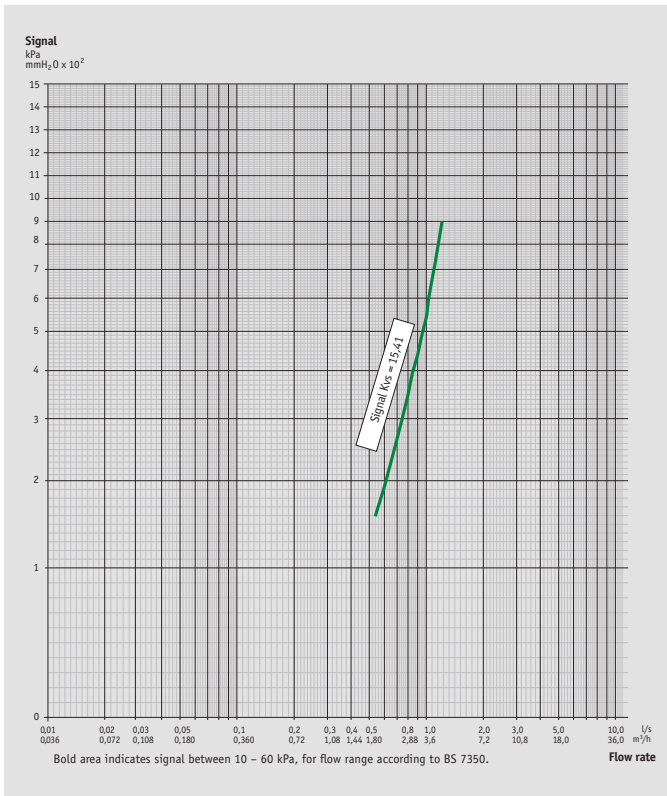
FODRV 3/4" 1260SF / 1250SF - Standard flow



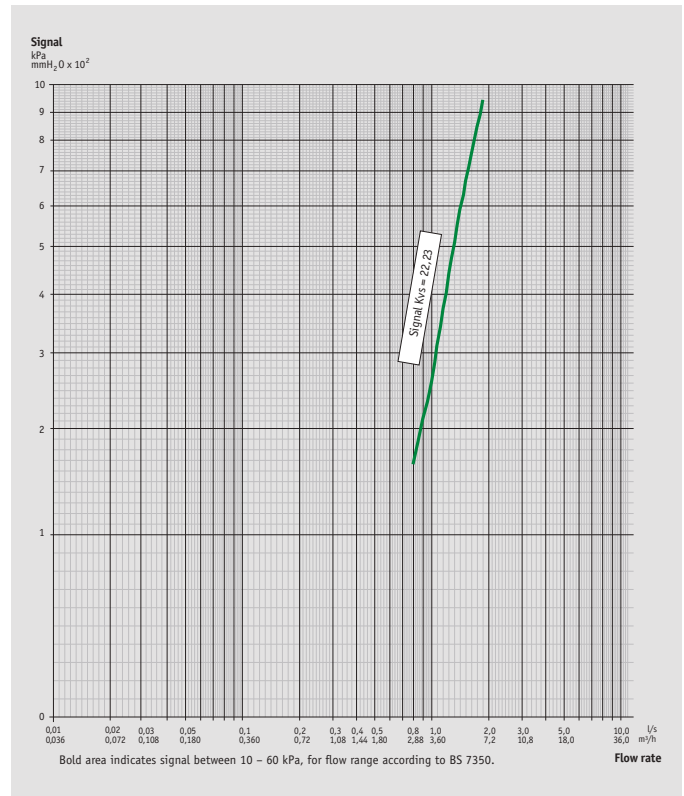
FODRV 1" 1260SF / 1250SF - Standard flow



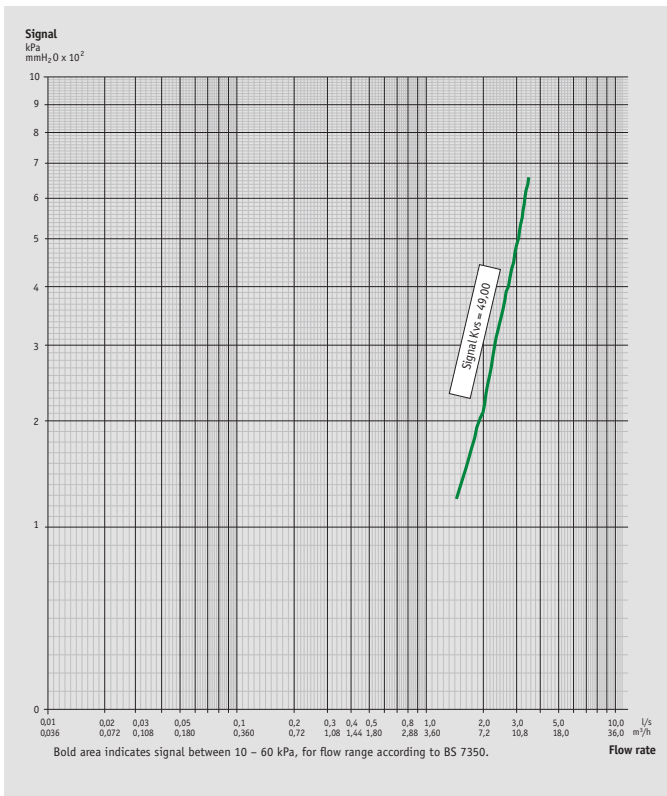
FODRV 1¼" 1260SF / 1250SF - Standard flow



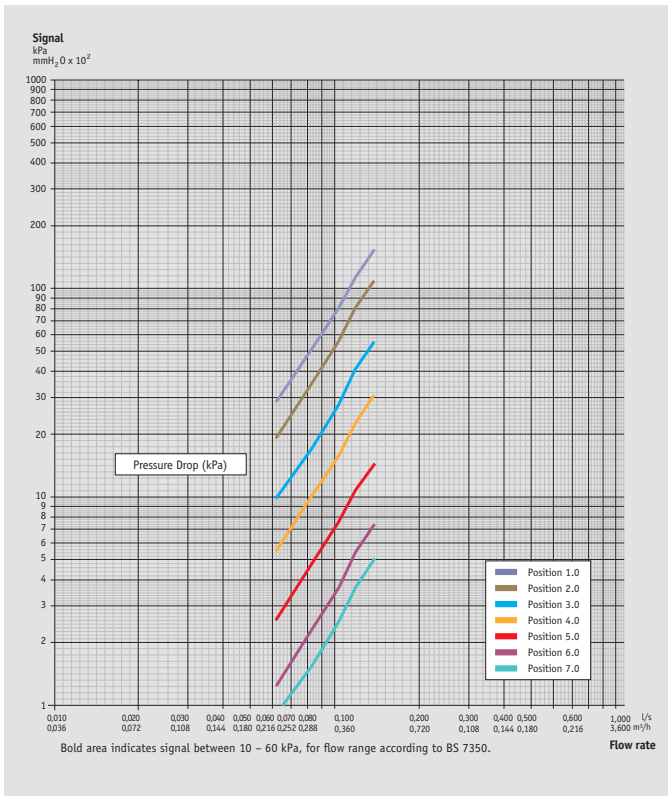
FODRV 1½" 1260SF / 1250SF - Standard flow



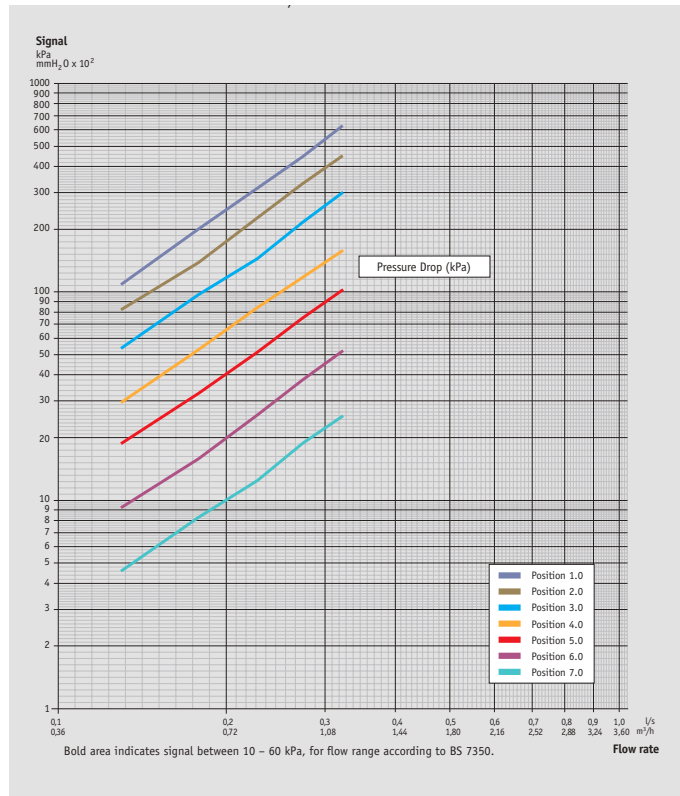
FODRV 2" 1260SF / 1250SF - Standard flow



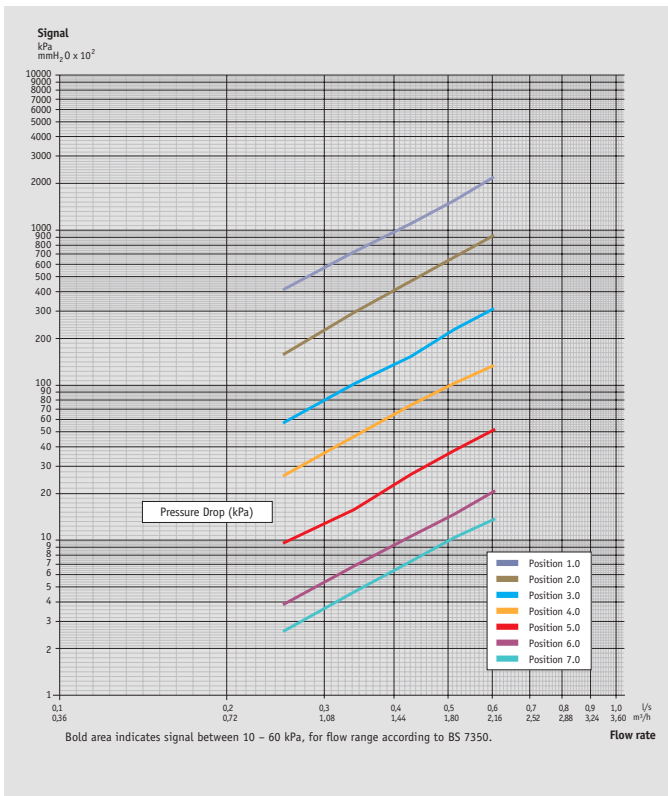
DRV 1/2" 1200 - Standard flow



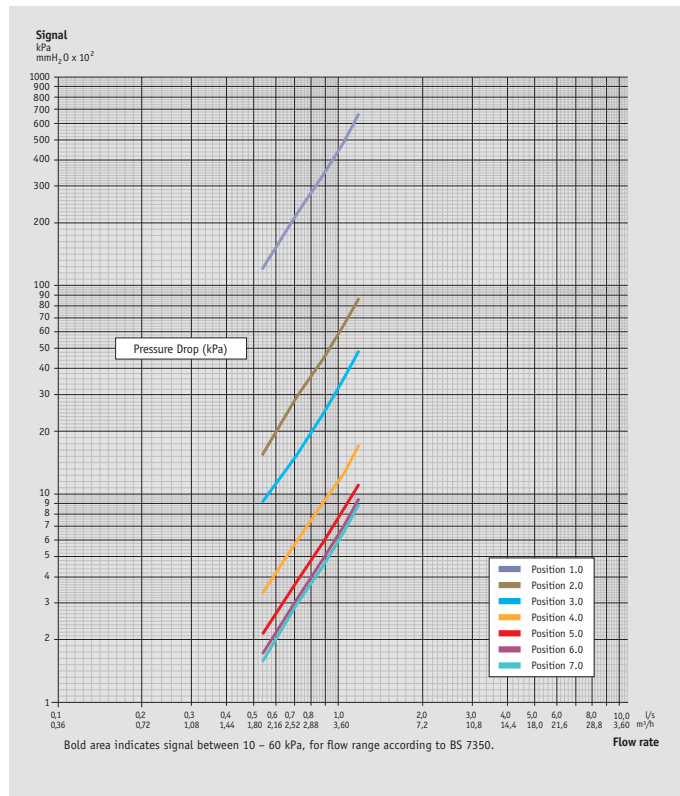
DRV 3/4" 1200 - Standard flow



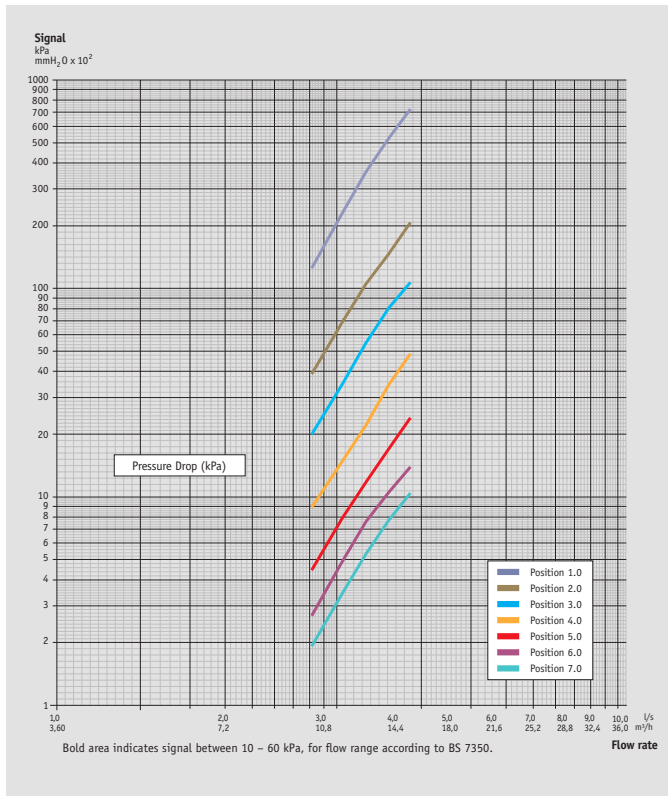
DRV 1" 1200 - Standard flow



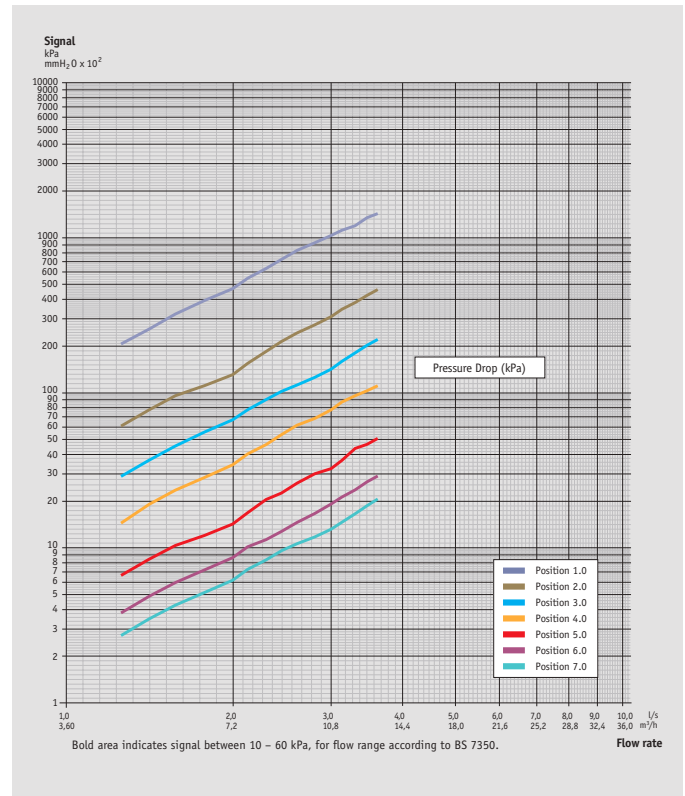
DRV 1 1/4" 1200 - Standard flow



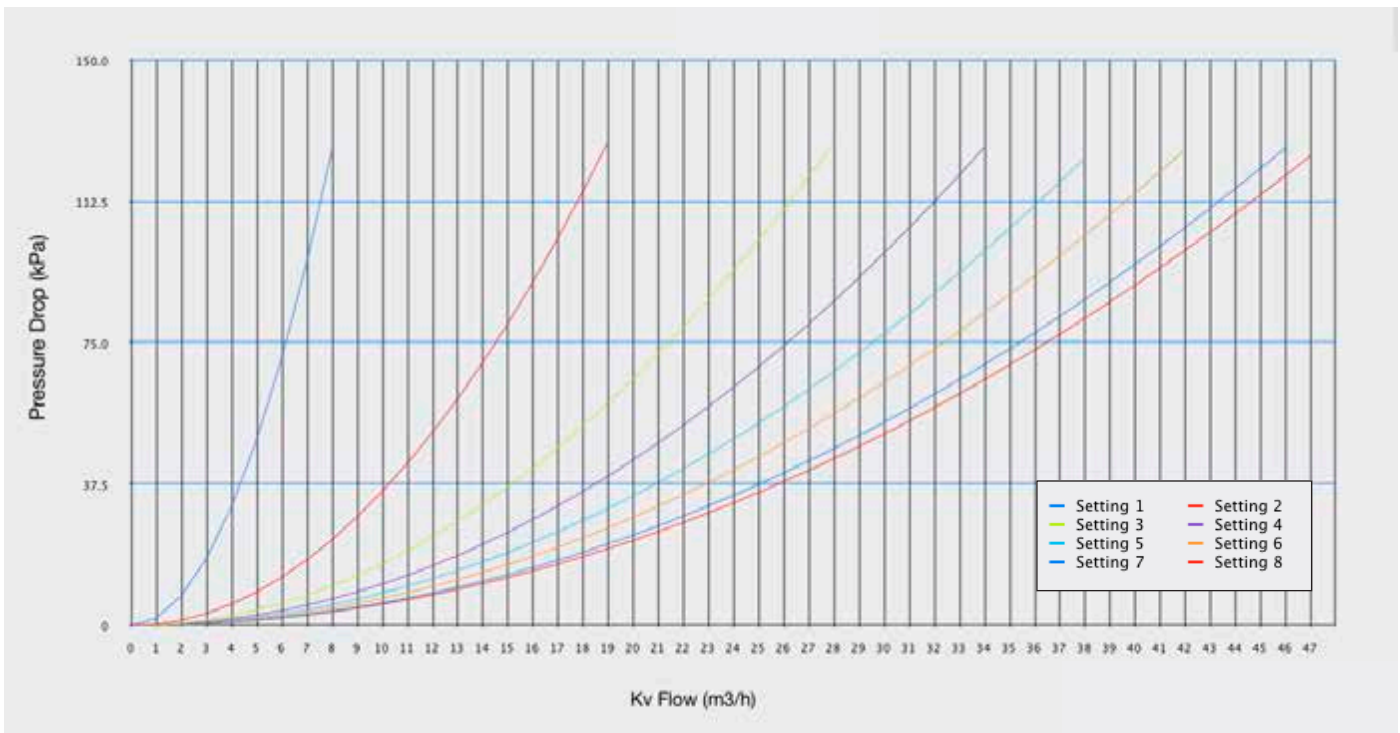
DRV 1½" 1200 - Standard flow



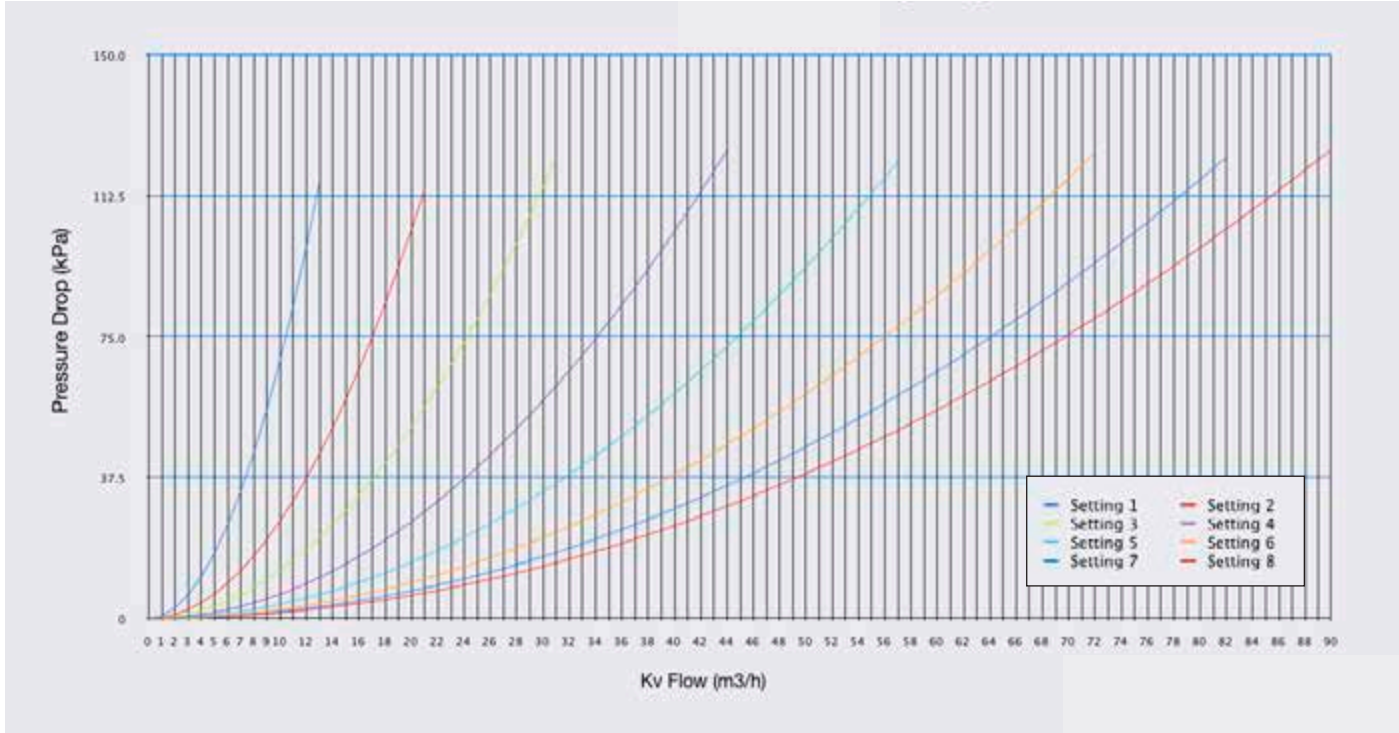
DRV 2" 1200 - Standard flow



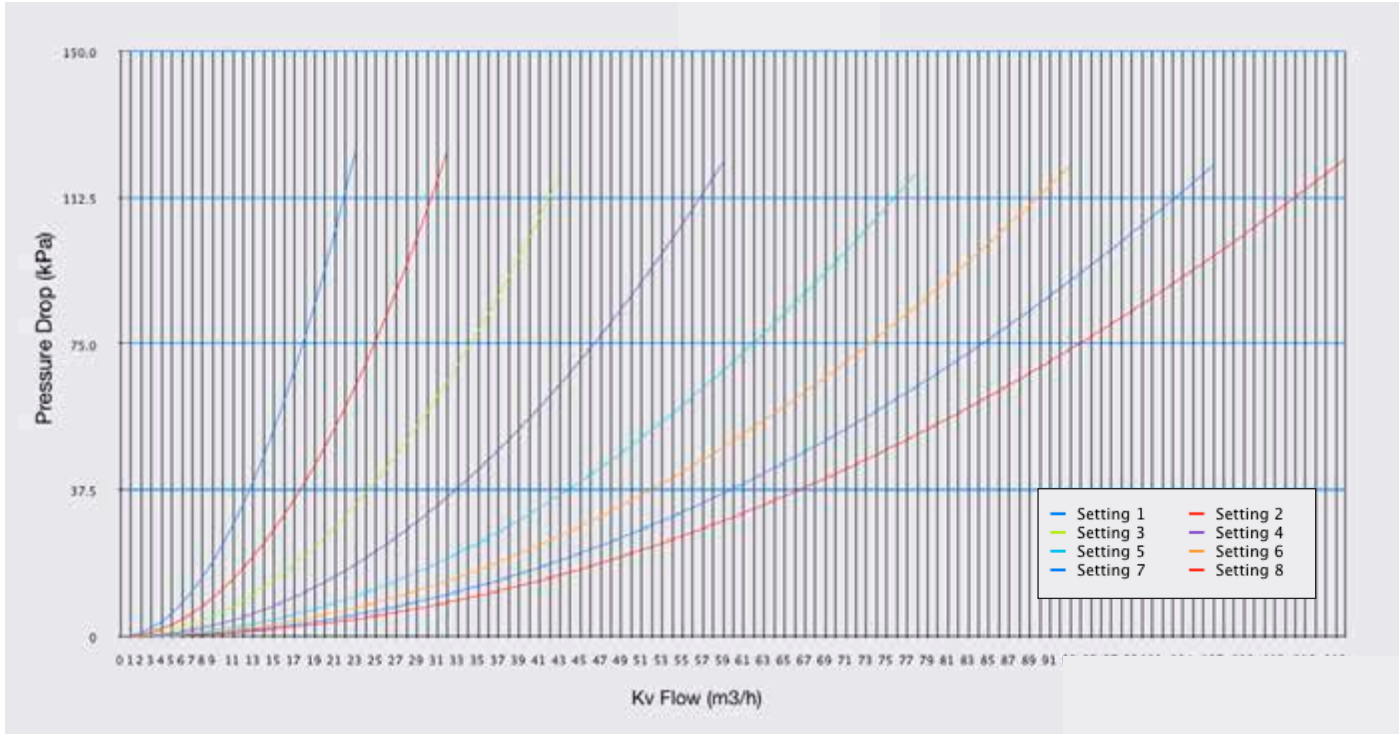
DN50 V952 - Variable Orifice Double Regulating Valve



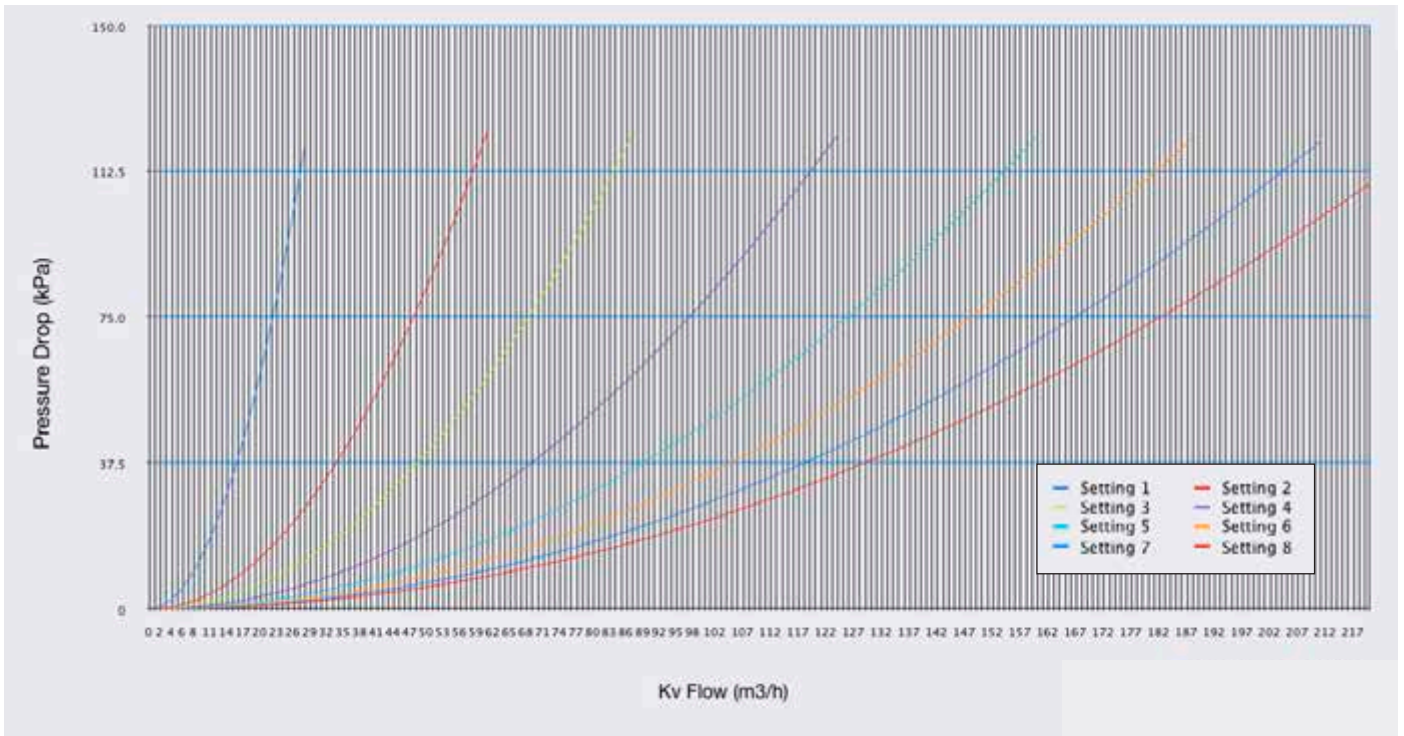
DN65 V952 - Variable Orifice Double Regulating Valve



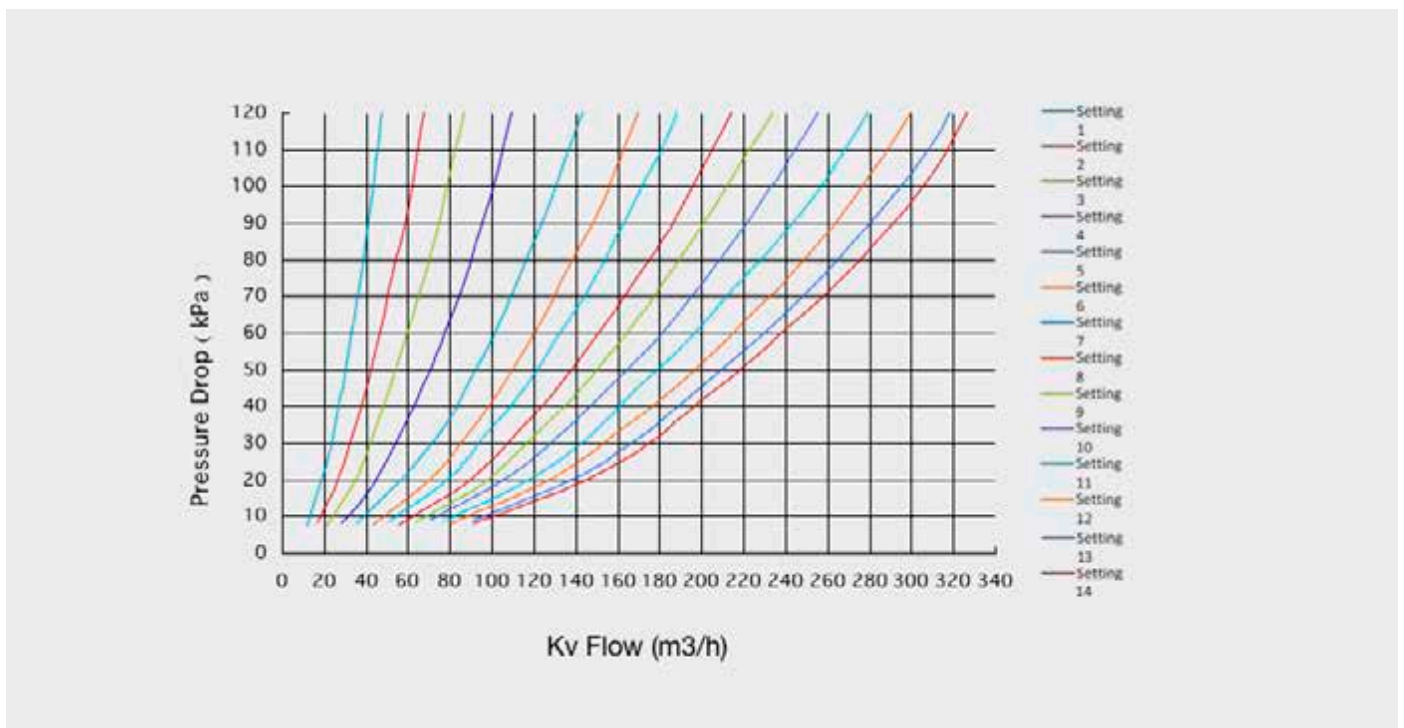
DN80 V952 - Variable Orifice Double Regulating Valve



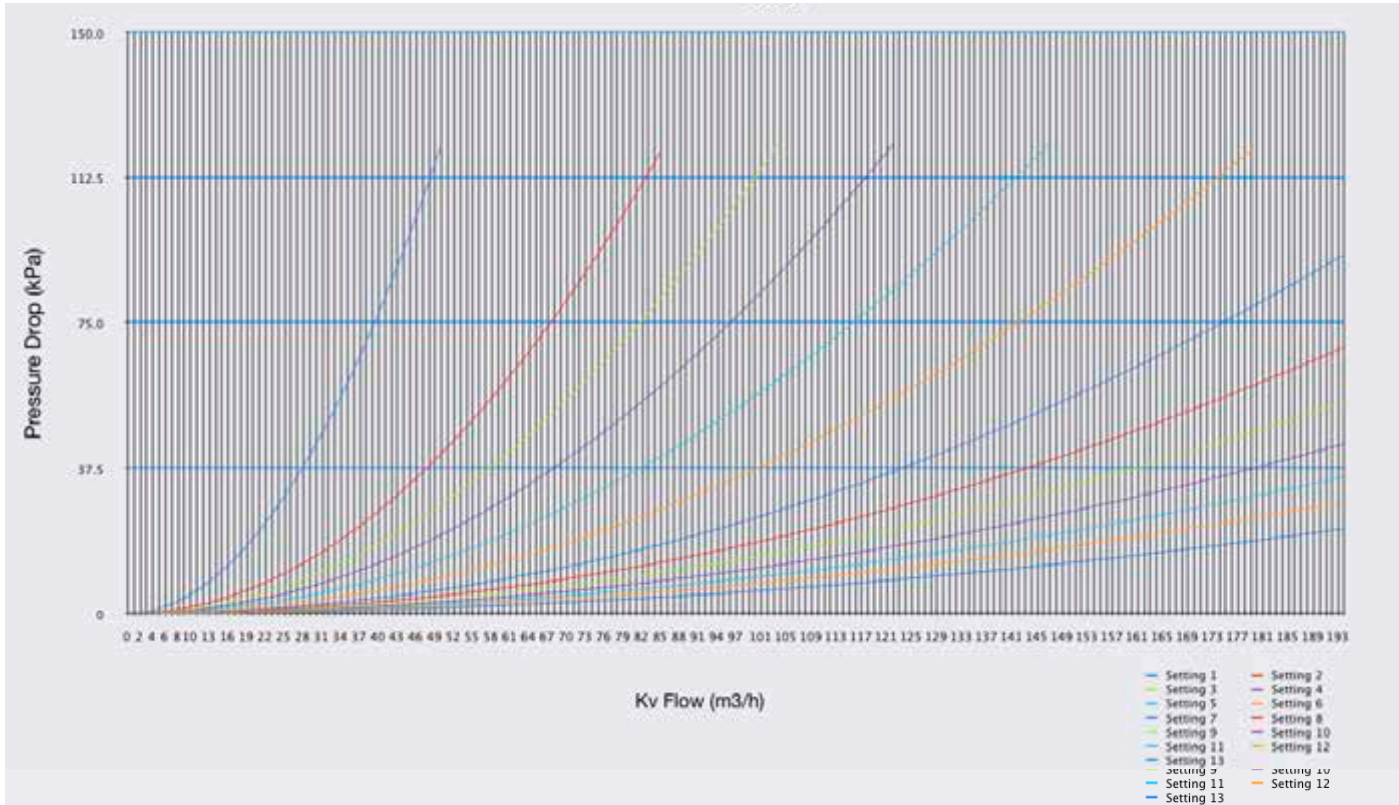
DN100 V952 - Variable Orifice Double Regulating Valve



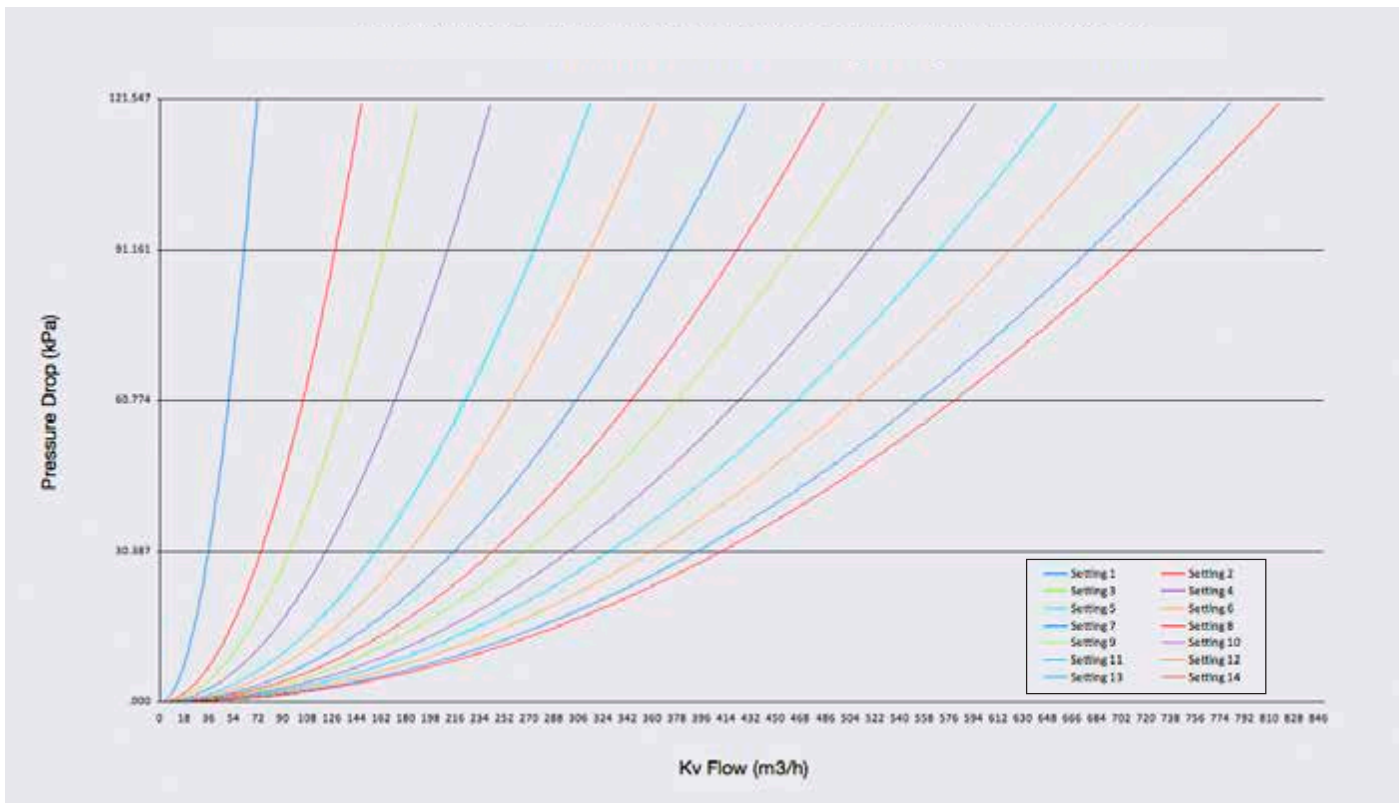
DN125 V952 - Variable Orifice Double Regulating Valve



DN150 V952 - Variable Orifice Double Regulating Valve



DN200 V952 - Variable Orifice Double Regulating Valve



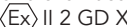
The Pressure Equipment Directive 97/23/EC & CE Marking

The Pressure Equipment Regulations 1999 (SI 1999/2001) have now been introduced into United Kingdom law. Valves with a maximum allowable pressure greater than 0.5 bar are covered by these new Regulations. Valves are categorised according to their maximum working pressure, size and rising level of hazard. The level of hazard varies according to the fluid being carried. Fluids are classified as Group 1, dangerous fluids or Group 2, all other fluids including steam. The categories designated are SEP (sound engineering practice). Valves up to and including 25mm (1") are designated SEP regardless of the fluid group. Those identified as having increased hazard are categorised as, I, II, III or IV. All valves designated as SEP do not bear the CE mark nor require a Declaration of Conformity. Categories I, II, III or IV carry the CE mark and require a Declaration of Conformity. Valves classified from the piping chart would not be included in Category IV.

CE Marking and the Atex Directive 94/9/EC

Concerning equipment and protection systems intended for use in potentially explosive atmospheres. This has been implemented in United Kingdom law by the Equipment and Protective Systems Intended for Use in Potentially Explosive Atmosphere Regulations 1996(31 1996/192) and amended by The Equipment and Protective Systems (amendment) Regulations 2001 (SI2001/3766). The regulations apply to all valves where each valve: a) has its own potential source of ignition. b) operates in a potentially explosive atmosphere created by:

- i) the presence of air/dust mixtures external to the valve.
- ii) the presence of gases, vapours, mists released from the valve through leakage.

The regulations will not apply to a valve without a potential source of ignition, which operates in a dust free environment and the fluid being transported is cold, inert gas or non-flammable liquid. The requisite level of protection for valves not exempt from the regulations is defined as Group II category 2 and shall bear the following markings: 

Valve selection

Selection, storage and protection

Valves must be properly selected for their intended service conditions. Provided it is installed correctly and receives adequate preventative maintenance it should give years of trouble-free service. They must be compatible with the system design, pressure and temperature requirements and must be suitable for the fluids that they are intended to carry. Interactions between metals in the pipe system and the valve must be considered as part of the valve selection.

Valves should be stored off the ground in a clean, dry, indoor area. Where desiccant bags are included with the valve these should be changed after a period of 6 months.

Pegler valves are supplied in appropriate packing to give adequate protection from damage. Cast iron and steel valves may also have end protection caps.

When Pegler valves are fitted with pressure equipment or assemblies, suitable protective devices may be required.

Pressure and temperature rating

Valves must be installed in a piping system whose normal pressure and temperature does not exceed the stated rating of the valve. The maximum allowable pressure in valves as specified in the standards is for non-shock conditions. Water hammer and impact should also be avoided.

If system testing will subject the valve to pressures in excess of the working pressure rating, this should be within the 'shell test pressure for the body' to a maximum of 1.5 times the PN rating and conducted with the valve fully opened.

It may be hazardous to use these valves outside of their specified pressure and temperature limitations and also when not used for the correct application.

Location/end-of-line service

To ensure ease of operation, adjustment, maintenance and repair, valve siting should be decided during the system design phase. To prevent imposing strain on the valve seat, pipe work and valves they must be adequately supported.

Where valves are installed for end-of-line service a blanking plug must be fitted to the downstream end of the valve. Pegler Ball, Globe, Check, Flanged Gate and Butterfly valves are not suitable for end-of-line service.

Pre-installation

Health & Safety

Before starting work on any installation a risk assessment must be made to consider the possibility of operational limits being exceeded and reduction or elimination of any potential hazards.

1. Protective clothing and safety equipment must be utilised as appropriate to the hazard presented by the nature of the process to which the valve is being installed or maintained.
2. Before installing or removing a valve the pipeline circulating pumps (when fitted) must be turned off. The pipeline must be depressurised, drained and vented. Valves must be fully opened to ensure release of any pipeline or valve pressure.
3. Fitters must be trained in manual and mechanical handling to enable them to safely lift and install Pegler valves.
4. The valve selected must be suitable for the required service conditions. The pressure and temperature limitations are indicated on the valve nameplate, body or data plate. These must not be exceeded.
5. Valve seats, seals and internal components can be damaged by system debris. Protective devices may need to be fitted and system flushing may be required.
6. Any flushing fluid used to clean the pipeline must not cause any damage to the valve and its components.
7. Pegler valves must not be misused by lifting them by their hand wheels, levers or stems.
8. Pegler valves are not suitable for fatigue loading, creep conditions, fire testing, fire hazard environment, corrosive or erosive service, or for carrying fluids containing abrasive solids. There is no allowance for corrosion in the design of these valves. Designs for this valve do not allow for decomposition of unstable fluids and must not be used where this could occur.
9. Pegler valves are not designed to withstand the effects of fire, wind, earthquakes and traffic.
10. All Health and Safety Rules must be followed when installing and maintaining valves.

For PED categorisation refer to Pegler catalogue, Lit. Ref. 880137.01.10



Pegler Yorkshire

Follow us on



CONNECT + CONTROL

Distributed by



www.anbisolutions.com

Tectite
XPress
Henco
Terrier
Meibes
Ballorex
Pegler
Prestex
Yorkshire
Endex
Kuterlite
Francis Pegler
Performa



HEAD OFFICE

Pegler Yorkshire Group Limited
St. Catherine's Avenue, Doncaster,
South Yorkshire DN4 8DF, England

Tel: +44 (0) 844 243 4400

Fax: +44 (0) 844 243 9870

Email: info@pegleryorkshire.co.uk

www.pegleryorkshire.co.uk

Registered in England Company No. 00401507

Registered Office: Haigh Park Road, Stourton,
Leeds, West Yorkshire, LS10 1RT England

All brand names and logo styles are registered
trademarks. Maintaining a policy of continual
product development, Pegler Yorkshire reserves
the right to change specifications, design and
materials of products listed in this publication
without prior notice

LIT.REF.