



Single sphere flanged rubber flexible joint
Steel flanges according EN1092-1, PN16
Polyamide wired reinforced body
Steel ring reinforced body/flange joint
TR CU 010 compliant

PN16

Free of CE marking for DN≤300 (cat. according to Art. 4.3 Dir. 2014/68/EU)

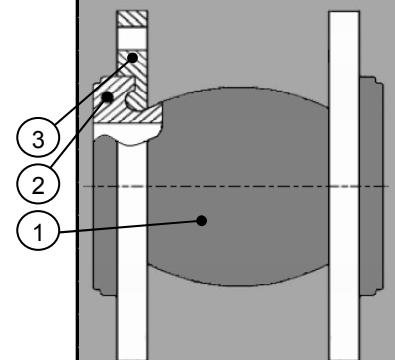
Working conditions

- Suitable for: water, -10°C to +100°C
below 0°C only for water with added antifreeze fluids
- Not suitable for: gases group 1 & 2, liquids group 1 (Dir. 2014/68/EU)



PARTLIST

N.	Part	Material	Norma
1	Body	EPDM + polyamide	-
2	Ring	Steel	-
3	Flange	Steel	-



DIMENSIONS

DN	L [mm]	ØF [mm]	ØP [mm]	NxØP [mm]	Allowable mov. ¹ [mm]	Defl. angle [°]	Weight [kg]
032	95	140	100	4x18	6 / 4 / 8	15°	3,1
040	95	150	110	4x18	8 / 4 / 8	15°	3,5
050	105	165	125	4x18	8 / 5 / 8	15°	4,4
065	115	185	145	4x18	8 / 6 / 10	15°	5,2
080	135	200	160	8x18	8 / 6 / 10	15°	6,5
100	150	220	180	8x18	12 / 10 / 12	15°	7,1
125	165	250	210	8x18	12 / 10 / 12	15°	9,6
150	180	285	240	8x22	16 / 10 / 12	15°	12,4
200	210	340	295	12x22	16 / 14 / 22	15°	17,0
250	230	405	355	12x25	16 / 14 / 22	15°	23,8
300	245	460	410	12x25	16 / 14 / 22	15°	31,0
350	255	520	470	16x25	16 / 16 / 22	15°	46,0
400	255	580	525	16x30	16 / 16 / 22	15°	60,0
450	255	640	585	20x30	16 / 16 / 22	15°	71,0
500	255	715	650	20x33	16 / 16 / 22	15°	105
600	260	840	770	20x36	16 / 16 / 22	15°	130

¹Compression / extension / lateral extension

