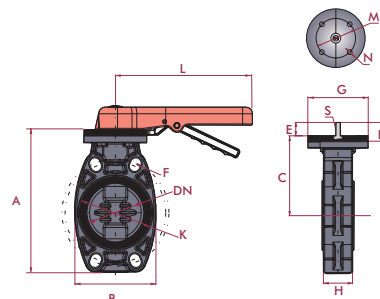


**BUTTERFLY VALVES - STANDARD SERIES**

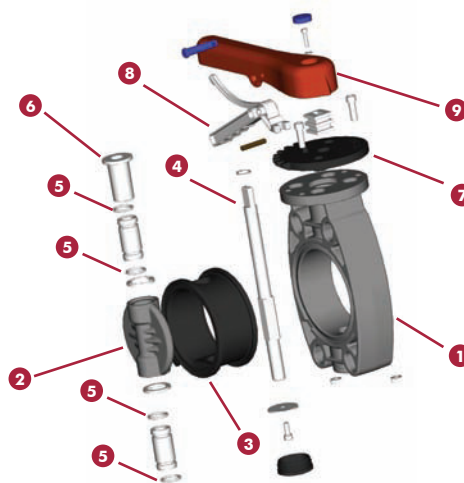
**FEATURES**

- Ideally suited for flow control using minimal piping space.
- 100% factory tested.
- Minimal pressure drop.
- Low maintenance.
- Resistance to many inorganic chemicals.
- Excellent flow characteristics.
- Good mechanical strength.
- One piece PVC body.
- New deisc design in PVC.
- Sizes from 2" to 8".
- Available standards: ANSI/ASTM, ISO/DIN, British Standard, JIS.
- Rubber seal available in EPDM or Viton®.
- Non-wetted zinc plated steel shaft.
- Ideally suited for irrigation installations or swimming pools.



Size	A	B	C	E	F	G	H	K	L	M	N	E'	S	holes
2"-2½"	7.8"	5.2"	4.6"	1.5"	0.7"	4.3"	1.8"	4.8"	8.5"	2.7"	0.3"	1.3"	0.3"	4
3"	9"	4.7"	5.3"	1.5"	0.7"	4.3"	2"	6.6"	9.5"	2.7"	0.3"	1.3"	0.4"	4
4"	9.9"	5.6"	5.7"	1.5"	0.7"	4.3"	2.3"	7.4"	9.5"	2.7"	0.3"	1.3"	0.6"	4
5"	11"	6.8"	6.3"	1.5"	0.8"	4.3"	2.5"	8.3"	12"	2.7"	0.3"	1.3"	0.7"	4
6"	12"	8.1"	7"	1.5"	0.9"	4.3"	2.8"	9.3"	12"	2.7"	0.3"	1.3"	0.7"	4
8"	14"	9.6"	8.4"	1.9"	0.8"	5.3"	2.8"	11"	15"	3.9"	0.4"	1.8"	1"	4

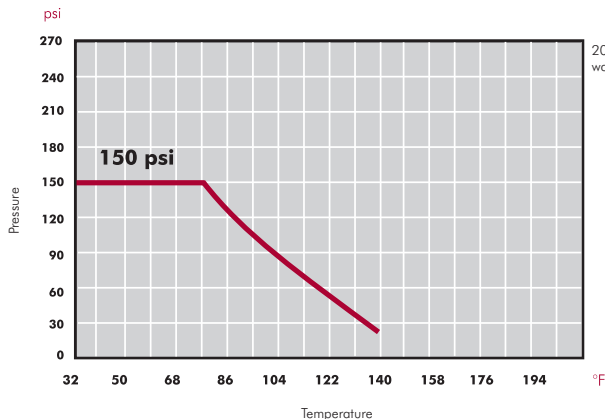
Fig.	Parts	Material
1	Body	PVC
2	Valve disc	PVC
3	Rubber seal	EPDM / Viton®
4	Stem	Zinc plated steel
5	O-ring seal	EPDM / Viton®
6	Top bearing	PP - GF
7	Throttle plate	POM
8	Lever-lock	POM
9	Handle	PP - GF



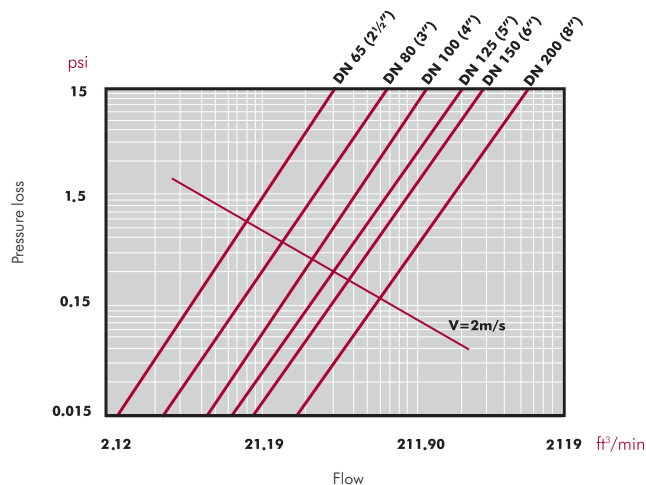
Size	Kv <sub>100</sub>	Cv
2½"	1800	126
3"	4020	282
4"	8280	580
4½"	11760	824
5"	11760	824
6"	16200	1134
8"	33000	2311

Kv = l/min at 1 bar  
Cv = GPM at 1 psi

**PRESSURE-TEMPERATURE RELATIONSHIP**



**TOTAL DYNAMIC HEAD**



## PVC Standard Butterfly Valves



**PVC with lever Handle**  
 Zinc plated steel stem  
 Valve disc: PVC  
 O-rings: EPDM  
 150 psi @ 73°F

Size	reference	psi	pack	weight (lb)	Q	code
2 - 2½"	05 83 075	150	0.459	7.26	2	<b>32614</b>
3"	05 83 090	150	0.459	8.36	2	<b>32615</b>
4"	05 83 110	150	0.530	11.44	2	<b>32616</b>
6"	05 83 160	150	0.883	20.02	2	<b>32618</b>
8"	05 83 200	150	1.377	32.34	2	<b>32619</b>



**PVC with lever Handle**  
 Zinc plated steel stem  
 Valve disc: PVC  
 O-rings: Viton®  
 150 psi @ 73°F

Size	reference	psi	pack	weight (lb)	Q	code
2 - 2½"	05 83 075 VI	150	0.459	7.26	2	<b>34532</b>
3"	05 83 090 VI	150	0.459	8.36	2	<b>34533</b>
4"	05 83 110 VI	150	0.530	11.44	2	<b>34534</b>
6"	05 83 160 VI	150	0.883	20.02	2	<b>34536</b>
8"	05 83 200 VI	150	1.377	32.34	2	<b>34537</b>