

# 830

Brass Swing Check Valve



Via Circonvallazione, 10  
13018 Valduggia (VC), Italy  
Tel: +39 0163 47891  
Fax: +39 0163 47895  
www.vironline.com

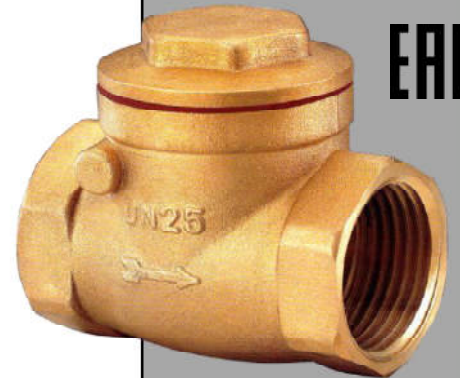


Brass swing check valve  
Threaded F/F (ISO 228/1)  
NBR seal  
Minimum opening pressure 0,03bar  
TR CU 010 compliant

PN10 (PN6 for DN≥65)  
Free of CE marking (cat. according to Art. 4.3 Dir. 2014/68/EU)

Working conditions

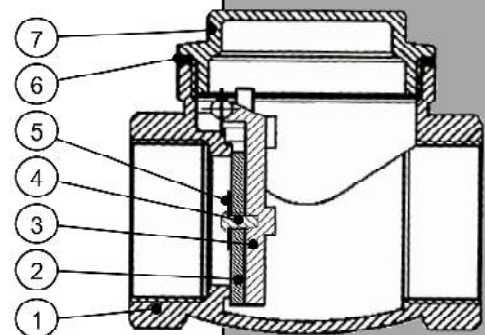
- Suitable for: water, 0°C to +100°C
- Not suitable for: gases group 1 & 2, liquids group 1 (Dir. 2014/68/UE)



ERC

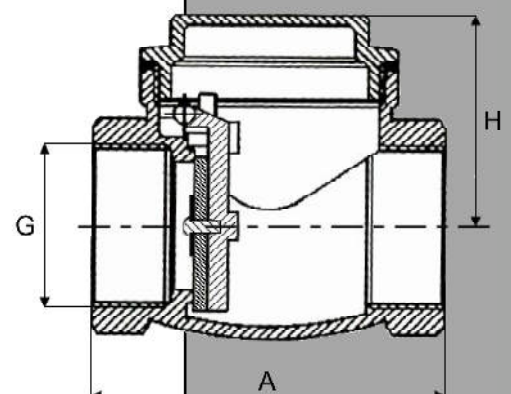
## PARTLIST

N.	Part	Material	Norm
1	Body	Brass	EN12165 CW617N
2	Disc gasket	NBR	-
3	Disc	Brass	EN12165 CW617N
4	Screw	Brass	EN12165 CW614N
5	Ring nut	Stainless steel	AISI 304
6	Gasket	Fiber	-
7	Bonnet	Brass	EN12165 CW617N



## DIMENSIONS

DN	G	H [mm]	A [mm]	Weight [g]
015	1/2"	36	47	180
020	3/4"	38	53	240
025	1"	44	63	350
032	1 1/4"	52	74	550
040	1 1/2"	61	87	880
050	2"	64	97	1200
065	2 1/2"	69	118	1780
080	3"	86	135	2900
100	4"	103	164	5000



160115