

DM931 / DA931



Variable Orifice Double
Regulating Valves (VODRV)

PN16 / CLASS 125

Features & Benefits

- These are Y-Pattern globe valves supplied with two pressure test points P84 to provide flow measurement, regulation and isolation
- The Double Regulating feature allows the valve to be used for isolation and to be reopened to its pre-set position to maintain required flow rate
- Primarily used in injection or other circuits requiring a double regulating valve for system balancing
- Accuracy of flow measurement is $\pm 10\%$ at the full open position of the valve
- Some reduction in accuracy occurs at partial openings of the valve in accordance with BS 7350

Materials

PART	MATERIAL
Body	Ductile Iron - BS EN 1563 GJS-450-10
Bonnet	Ductile Iron - BS EN 1563 GJS-450-10
Bonnet Gasket	Non-asbestos
Disc (All sizes)	EPDM Coated Cast Iron
Disc Bush	Bronze
Stem	410 SS
Gland (65 to 150mm)	Brass
Gland (200 to 300mm)	Cast Iron
Gland Nut	Brass
Packing	Non-asbestos
Seat Ring	Bronze

Dimensions & Weights

SIZE (DN)	FACE-TO-FACE A (mm)	CENTRE-TO-TOP B (mm)	WEIGHT (kg)
65	290	262	15.8
80	310	267	19.5
100	350	300	28.0
125	400	325	37.5
150	480	340	50.5
200	600	525	123.0
250	730	575	192.0
300	850	645	251.0

Coefficients*

SIZE (DN)	FLOW (Kv)	HEAD LOSS (K)
65	85	4.9
80	111	5.5
100	146	9.2
125	250	7.3
150	380	6.5
200	600	7.8
250	1211	4.6
300	1521	6.0

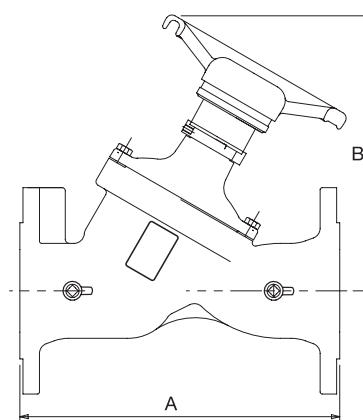
*Fully open position.



DM931

BALANCING VALVES

Dimensional Drawing



Pressure/Temperature Ratings

TEMPERATURE (°C)	-10 to 120
PRESSURE (BAR)	16.0

Ratings align with BS EN 1092-2 PN16 (formerly BS 4504)

Valid as of 200717

SPECIFICATION: Conform to requirements of BS 7350: 1990

END CONNECTIONS: DM931 Ends are flanged to BS EN 1092-2 (formerly BS 4504) and DA931 Ends are flanged to ANSI B16.1 Class 125

Every effort has been made to ensure that the information contained in this publication is accurate at the time of publishing. Crane Ltd assumes no responsibility or liability for typographical errors or omissions or for any misinterpretation of the information within the publication and reserves the right to change without notice.