



Meet temperature, timing, and safety requirements with reliable Honeywell Fire and Smoke actuators

**When It Comes To Safety,
The Name To Trust Is Honeywell**



FAST ACTION IS A MUST

Preventing the fast spread of fire and smoke is essential for protecting lives and property. Tested, proven and backed by world-renowned quality, Honeywell fire and smoke actuators reliably meet critical needs for fire and smoke control applications.



Series 30 lb-in.
Series 80 lb-in.

Safety First

Safety should never be left to chance. Honeywell fire and smoke actuators are designed to meet both UL-555 and UL-555S 350 F safety requirements for fire and smoke applications. Fast-acting actuators close dampers in 15 seconds, and the integral spring return ensures the consistent, proper level of torque. For the highest level of occupant safety, you can count on Honeywell.

- Meets UL-555 and UL-555S requirements
- Robust die-cast aluminum housing for protection and long service life
- Maximum spring return timing of 15 seconds
- Reliably built by the industry leader

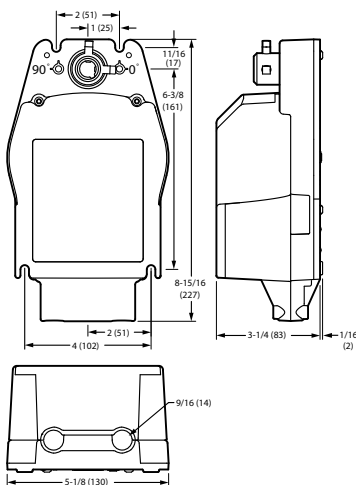
Complete Line

Whether you're working retrofit applications or new construction, Honeywell has the right two-position spring return actuator for the job — with the largest torque range in the industry. Along with meeting safety standards, Honeywell fire and smoke actuators also feature an energy-saving patented design that eliminates limit switches to reduce power consumption.

- 30, 80 and 175 lb-in. torque models available
- Energy-saving design
- No audible noise during holding

Trust That's Earned

Where safety is concerned, you want products that are tested and proven. Request Honeywell fire and smoke actuators on your next job, and put the peace of mind of Honeywell reliability to work for you.





Time Saving Features

Honeywell's reversible design saves you time during installation and replacement with integral conduit connector and simple shaft adapter. The integral conduit connector enables electrical installation without the need for additional connectors, saving you time and money.

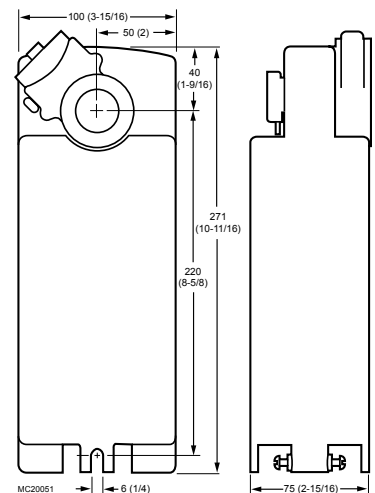
Replacement Opportunity

Honeywell is the leading supplier of fire and smoke actuators designed for UL555 and UL555S. Our current product line is designed for universal replacement of all existing Honeywell fire and smoke damper actuators.

Honeywell spring return fire and smoke actuators are not designed for HVAC applications and HVAC actuators are not designed for fire and smoke applications. Fire and smoke actuators are fast acting, have a faster spring return and close-off than HVAC actuators, helping to prevent the spread of fire and smoke. Honeywell's spring return fire and smoke actuators are designed to meet UL-555 and UL-555S 350 F requirements. UL-555 and UL-555S requires that all new construction fire and smoke damper jobs have the actuator assembled and tested at the damper manufacturer. A like-for-like retrofit replacement or technically equal UL-555 and UL-555S approved device is recommended.



Series
175 lb-in.



Fire and Smoke Spring Return Actuators

Torque	Model Number	Voltage	SPST Aux Switch	Legacy Honeywell	Belimo Cross	Siemens Cross
30 lb-in (3.4 Nm)	MS4104F1010	120 Vac	0	ML4115A1009 ML4115A1017 ML4115B1008 ML4115B1016 ML4115H1002 ML4115J1009 ML4202F1000 ML4302F1008	FSLF120 US	None
	MS4104F1210	120 Vac	2 Internal	None	FSLF120-S US	None
	MS4604F1010	230 Vac	0	ML4115C1007 ML4115C1015 ML4115D1006 ML4115D1014 ML4702F1009 ML4802F1007	FSLF230 US	None
	MS4604F1210	230 Vac	2 Internal	None	FSLF230-S US	None
	MS8104F1010	24 Vac	0	ML8115A1005 ML8115A1013 ML8115B1004 ML8115B1012 ML8115H1008 ML8115J1005 ML8202F1006 ML8302F1004	FSLF24 US	None
	MS8104F210	24 Vac	2 Internal	None	FSLF24-S US	None
80 lb-in (9 Nm)	MS4109F1010	120 Vac	0	MS4209F1007 MS4309F1005	FSNF120 US	GND221.1U
	MS4109F1210	120 Vac	2 Internal	None	FSNF120-S US	GND226.1U
	MS4609F1010	230 Vac	0	MS4709F1014 MS4809F1012	FSNF230 US	GND321.1U
	MS4609F1210	230 Vac	2 Internal	None	FSNF230-S US	GND326.1U
	MS8109F1010	24 Vac	0	MS8209F1003 MS8309F1001	FSNF24 US	GND121.1U
	MS8109F1210	24 Vac	2 Internal	None	FSNF24-S US	GND126.1U
175 lb-in (20 Nm)	MS4120F1006	120 Vac	0	None	FSAF120 US	GGD221.1U
	MS4120F1204		2 Internal		FSAF120-S US	None
	MS4620F1005	230 Vac	0		FSAF230 US	GGD321.1U
	MS4620F1203		2 Internal		FSAF230-S US	None
	MS8120F1002	24 Vac	0		FSAF24 US	GGD121.1U
	MS8120F1200		2 Internal		FSAF24-S US	None

Learn More

For more information on Honeywell Fire and Smoke Actuators, call **1-800-466-3993** or visit customer.honeywell.com.

Automation and Control Solutions

In the U.S.:
Honeywell
1985 Douglas Drive North
Golden Valley, MN 55422-3992

In Canada:
Honeywell Limited
35 Dynamic Drive
Toronto, Ontario M1V 4Z9

In Latin America:
Honeywell
9315 N.W. 112th Avenue
Miami, FL 33178
www.honeywell.com

Follow us on Twitter:
@honeywellcpro



YouTube:
@honeywellcpro



Honeywell